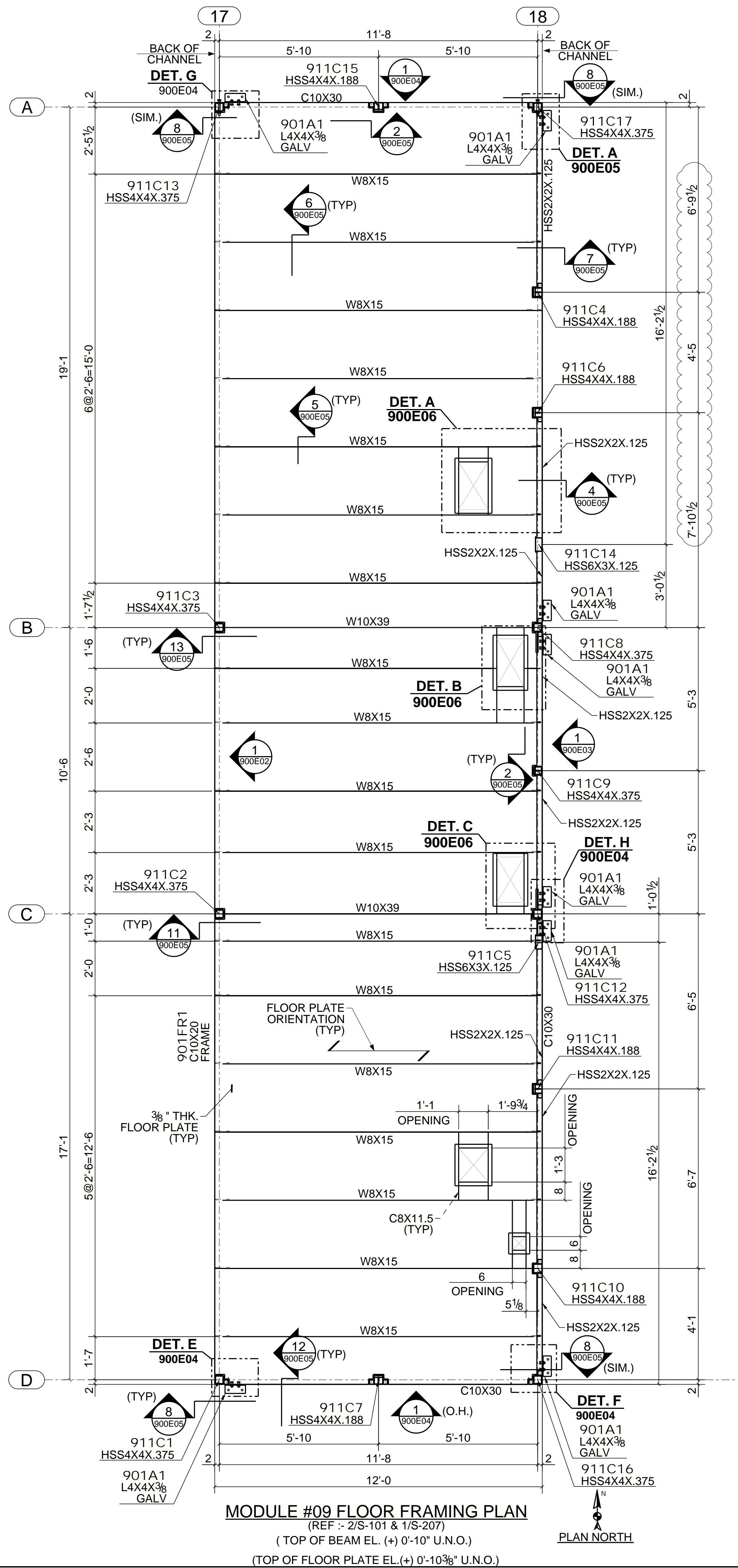
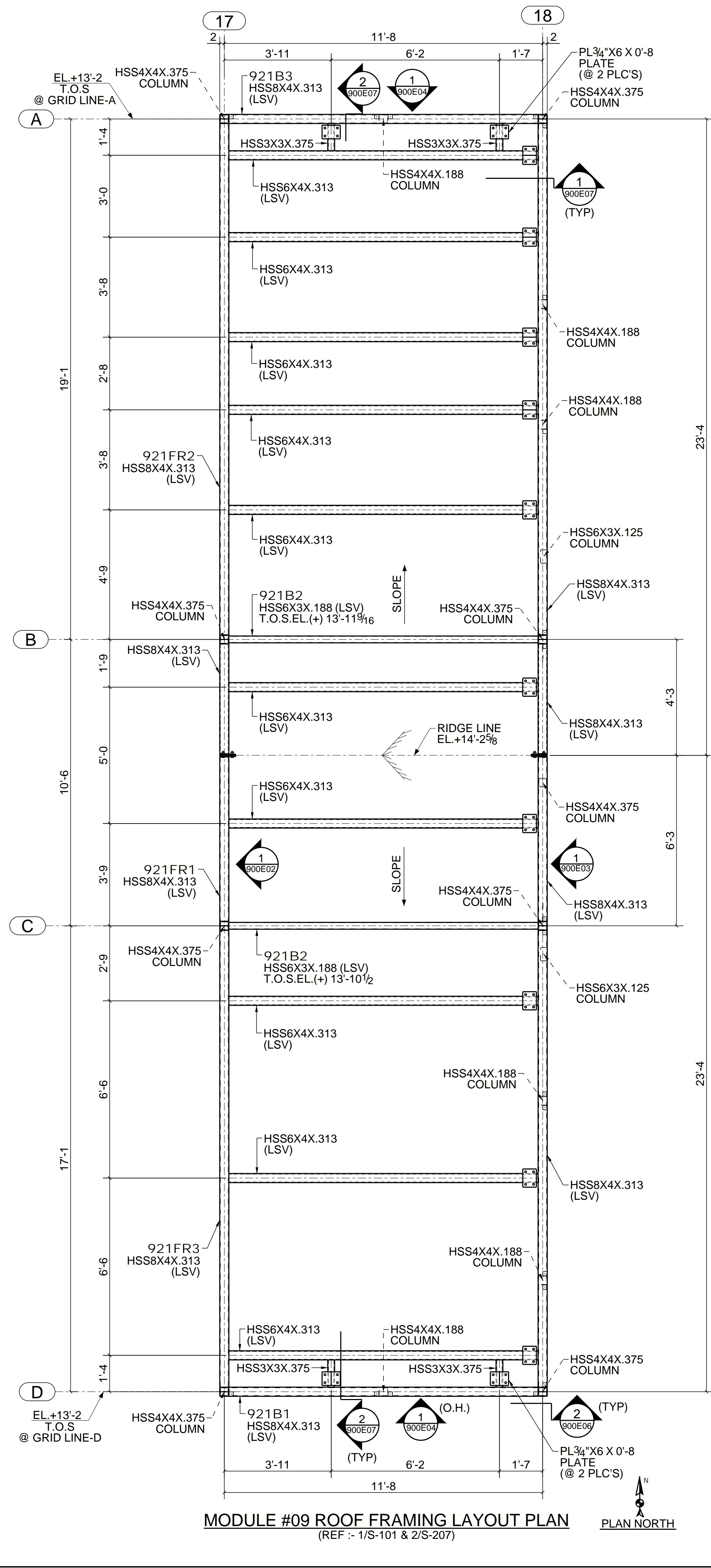


ISOMETRIC VIEW

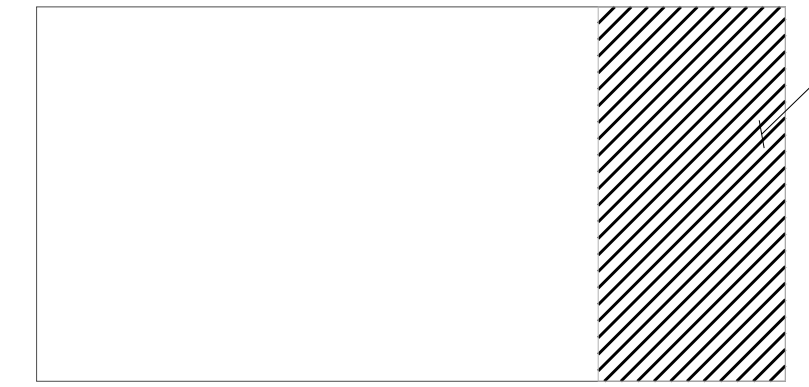
REV	DESCRIPTION	DATE	BY
0	For Field Use	09/23/2024	SID
PROJECT NAME: RKMC ATC SKIDS		WELD ELECTRODES E70XX	
ADDRESS: 6011 CHAPEL HILL ROAD RALEIGH, NC 27607		DETAILER SID	
CONTRACTOR: RKMC		CHECKER RAK	
DETAILS OF MODULE #09 ISOMETRIC VIEW		JOB NUMBER i2409	DRAWING NUMBER 900E00



MODULE #09 FLOOR FRAMING PLAN
 (REF :- 2/S-101 & 1/S-207)
 (TOP OF BEAM EL. (+) 0'-10" U.N.O.)
 (TOP OF FLOOR PLATE EL. (+) 0'-10 3/8" U.N.O.)



MODULE #09 ROOF FRAMING LAYOUT PLAN
 (REF :- 1/S-101 & 2/S-207)

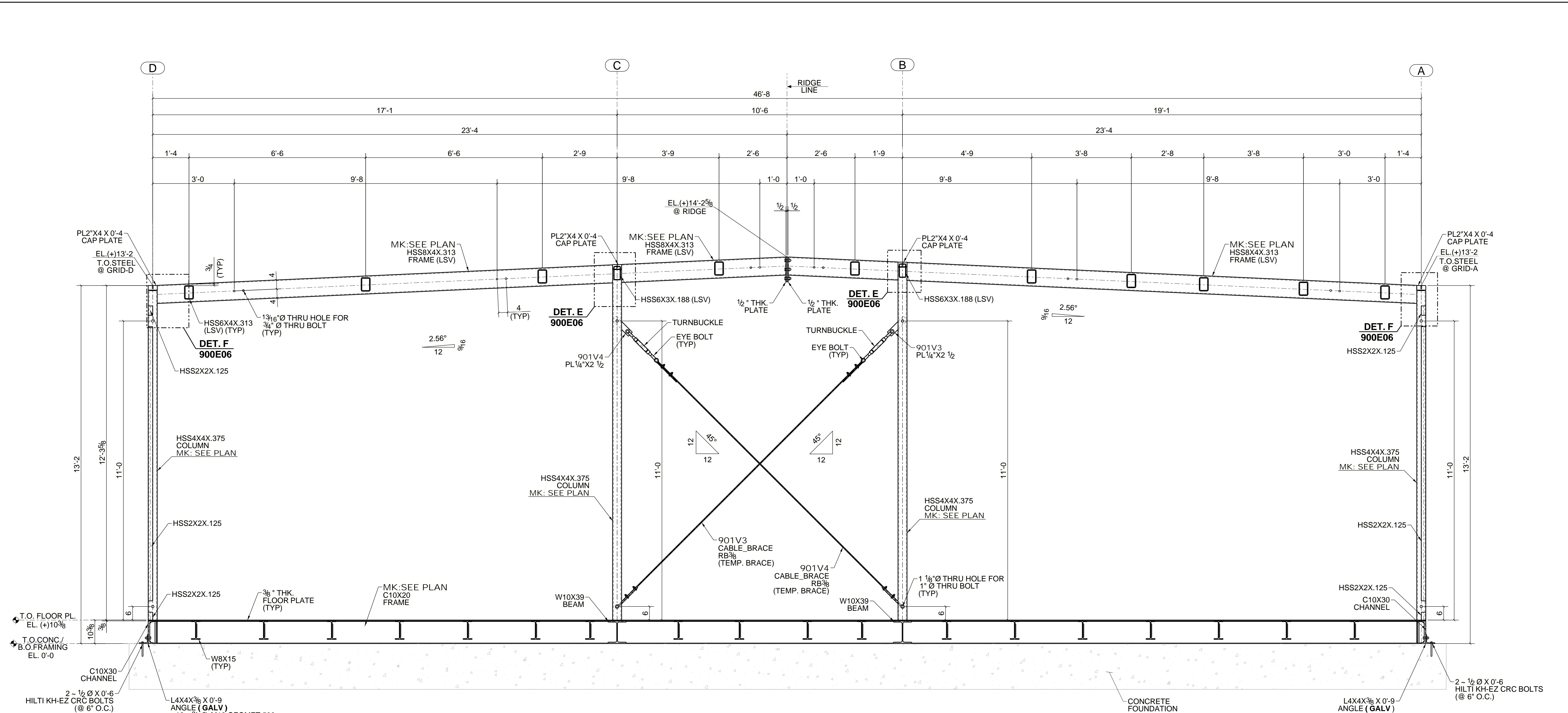


KEY PLAN

- NOTES:-**
- 1.) ALL ELEVATIONS ARE GIVEN FROM FINISH FLOOR ELEVATION 0'-0".
 - 2.) T.O.S. EL. INDICATES TOP OF STEEL ELEVATION.
 - 3.) T.O.FLOOR PL. INDICATES TOP OF FLOOR PLATE.
 - 4.) T.O.CONC. INDICATES TOP OF CONCRETE.
 - 5.) B.O.FRAME INDICATES BOTTOM OF FRAMING.

REV	DESCRIPTION	DATE	BY
0	For Field Use	09/23/2024	SID
1	For Approval	09/16/2024	SID

PROJECT NAME: RKMC ATC SKIDS	WELD ELECTRODES: E70XX
ADDRESS: 6011 CHAPEL HILL ROAD RALEIGH, NC 27607	DETAILER: SID
CONTRACTOR: RKMC	CHECKER: RAK
DETAILS OF MODULE #09 FLOOR & ROOF FRAMING PLAN	DRAWING NUMBER: 900E01
JOB NUMBER: i2409	



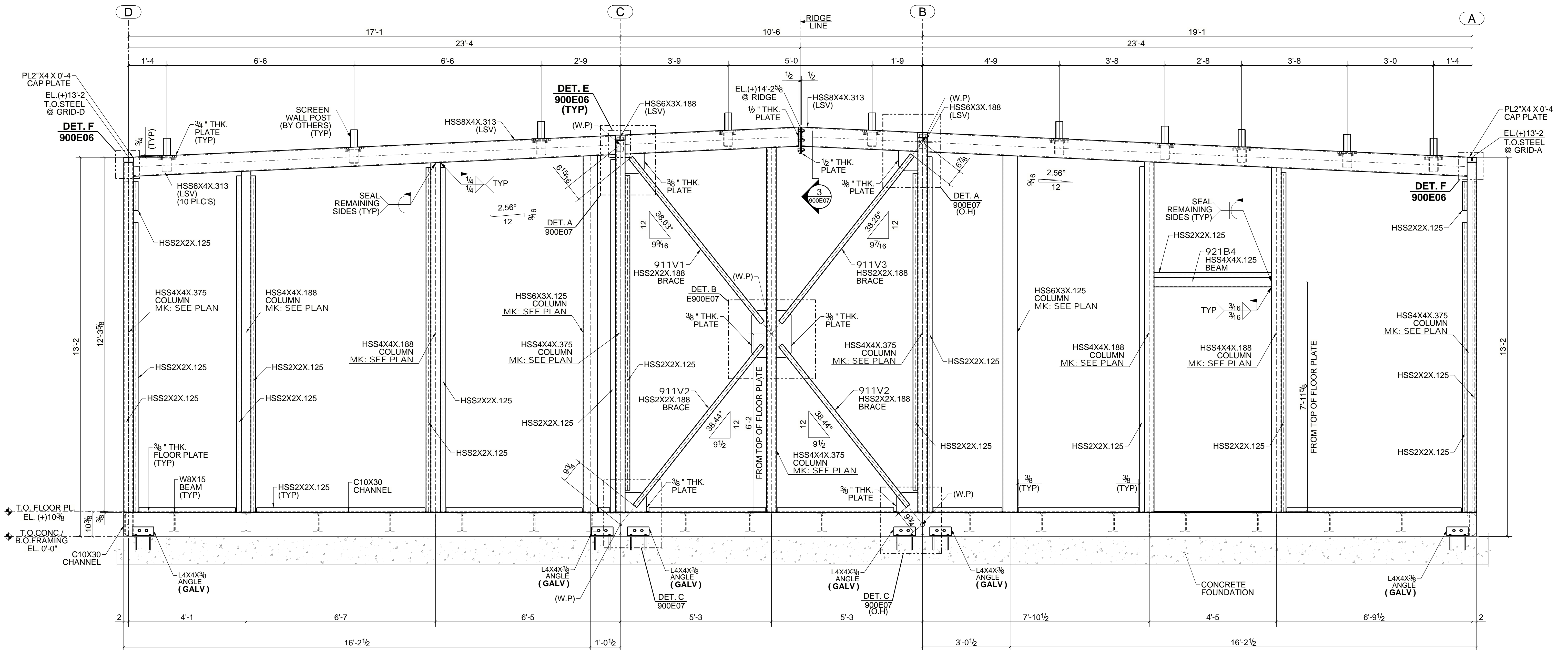
ELEVATION - 1

NOTES:-
 1.) ALL ELEVATIONS ARE GIVEN FROM FINISH FLOOR ELEVATION 0'-0".
 2.) T.O.S.EL. INDICATES TOP OF STEEL ELEVATION.

△	For Field Use	09/23/2024	SID
▲	For Approval	09/16/2024	SID
REV	DESCRIPTION	DATE	BY

PROJECT NAME: RKMC ATC SKIDS	WELD ELECTRODES E70XX
ADDRESS: 6011 CHAPEL HILL ROAD RALEIGH, NC 27607	DETAILER SID
CONTRACTOR: RKMC	CHECKER RAK
DETAILS OF MODULE#09 ELEVATION	JOB NUMBER i2409
	DRAWING NUMBER 900E02

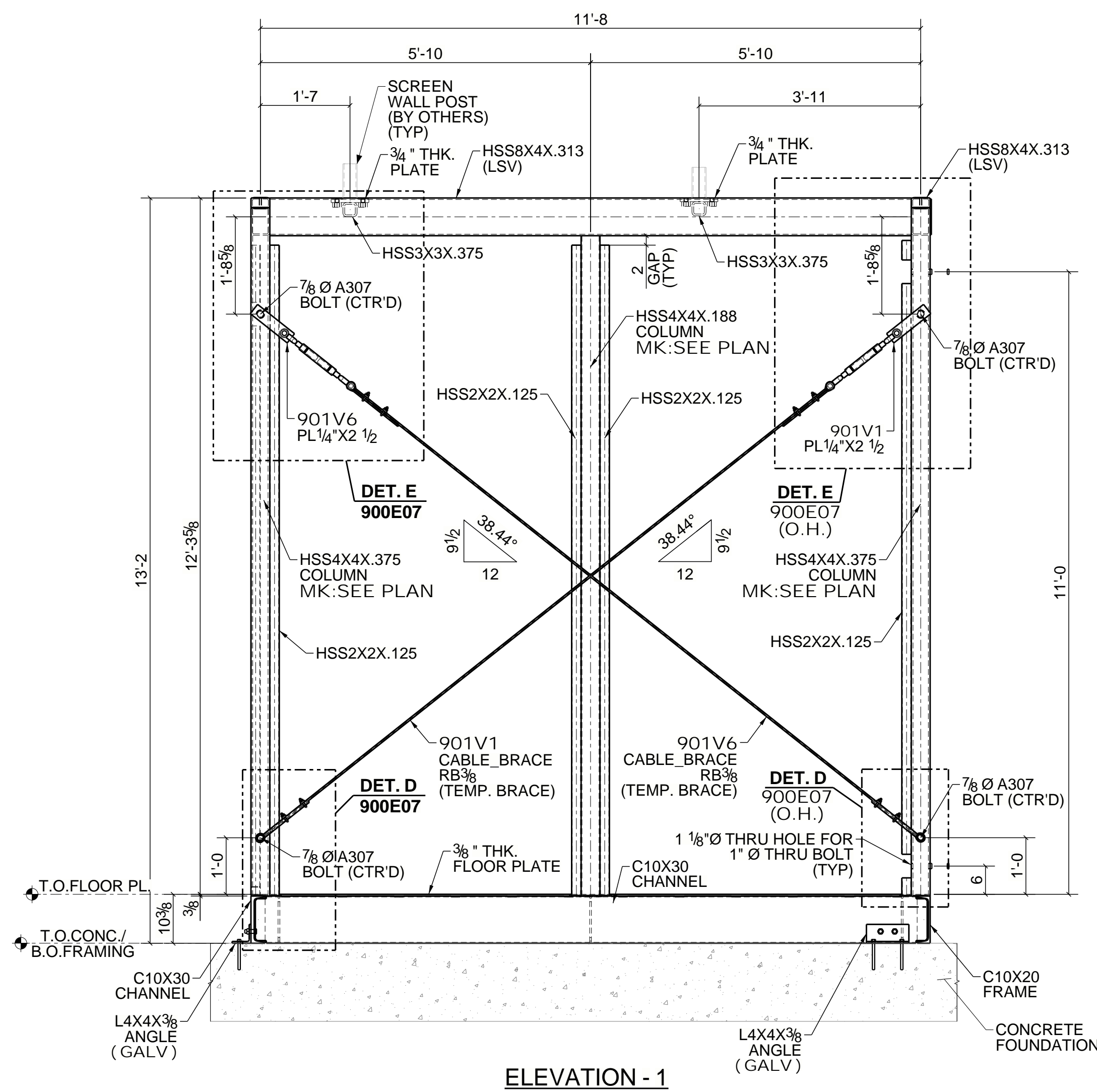
T. J. Structures



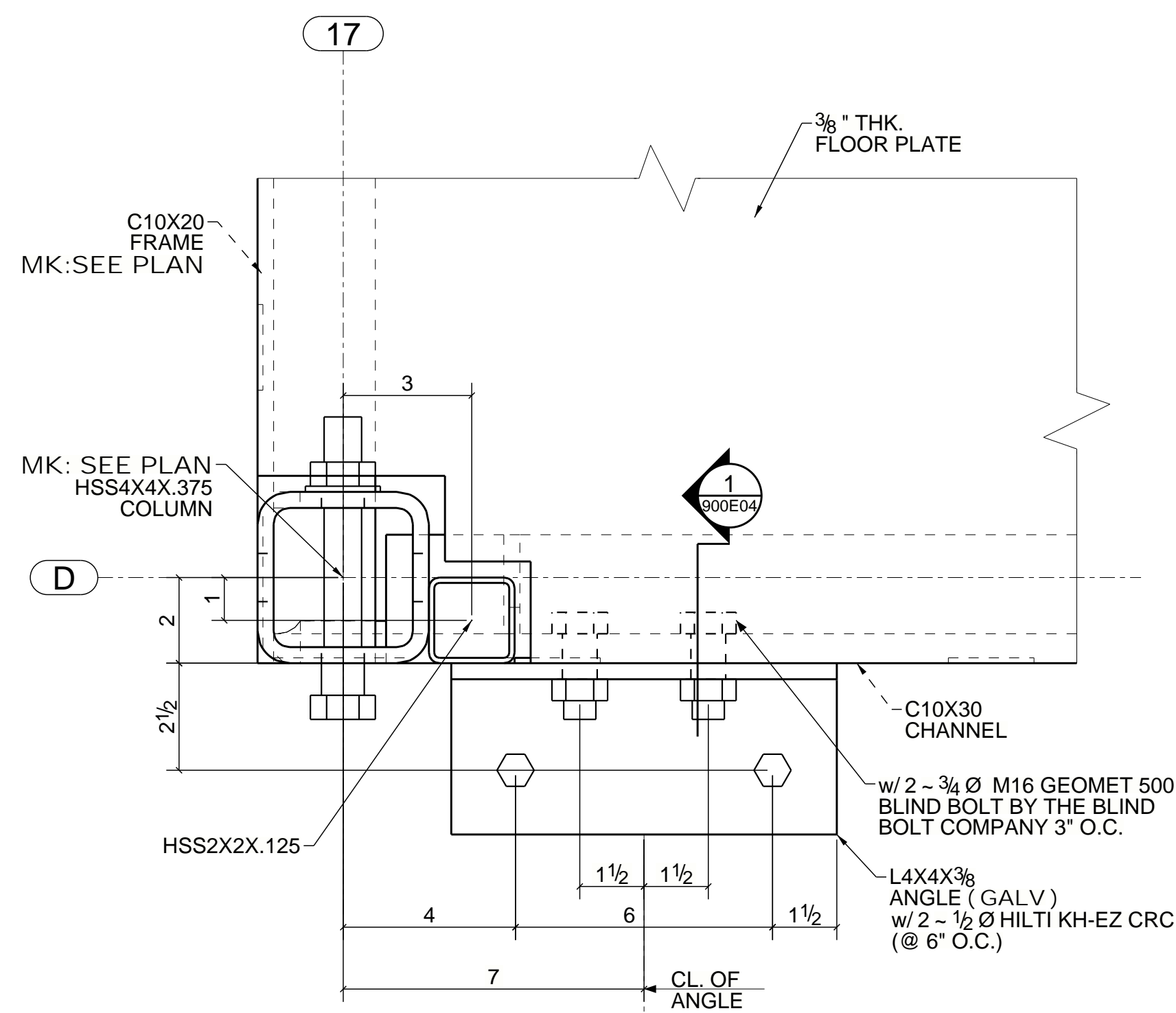
ELEVATION - 1

REV	DESCRIPTION	DATE	BY
0	For Field Use	09/23/2024	SID
1	For Approval	09/16/2024	SID

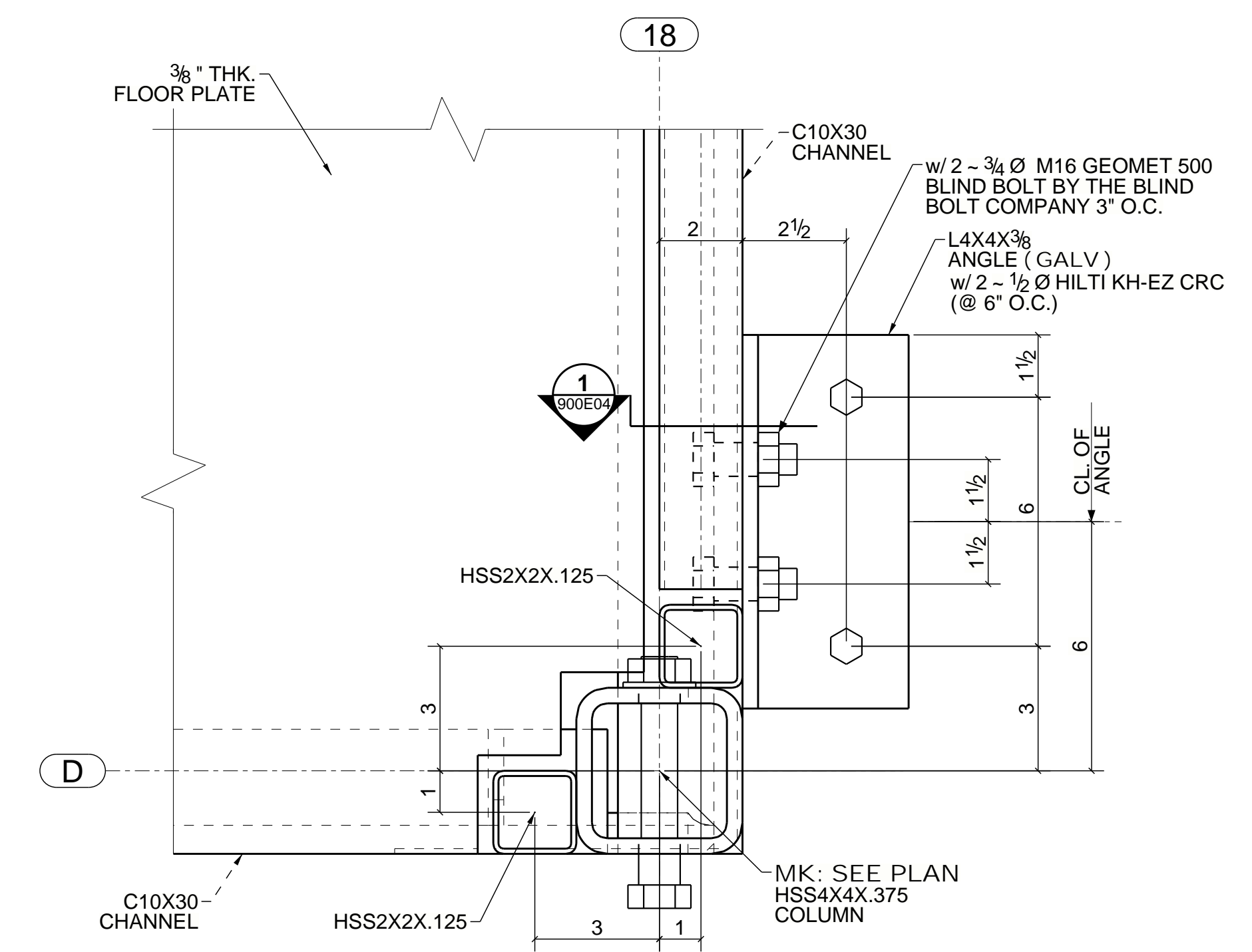
PROJECT NAME:	RKMC ATC SKIDS	WELD ELECTRODES:	E70XX
ADDRESS:	6011 CHAPEL HILL ROAD RALEIGH, NC 27607	DETAILER:	SID
CONTRACTOR:	RKMC	CHECKER:	RAK
DETAILS OF:	MODULE#09 ELEVATION	JOB NUMBER:	i2409
		DRAWING NUMBER:	900E03



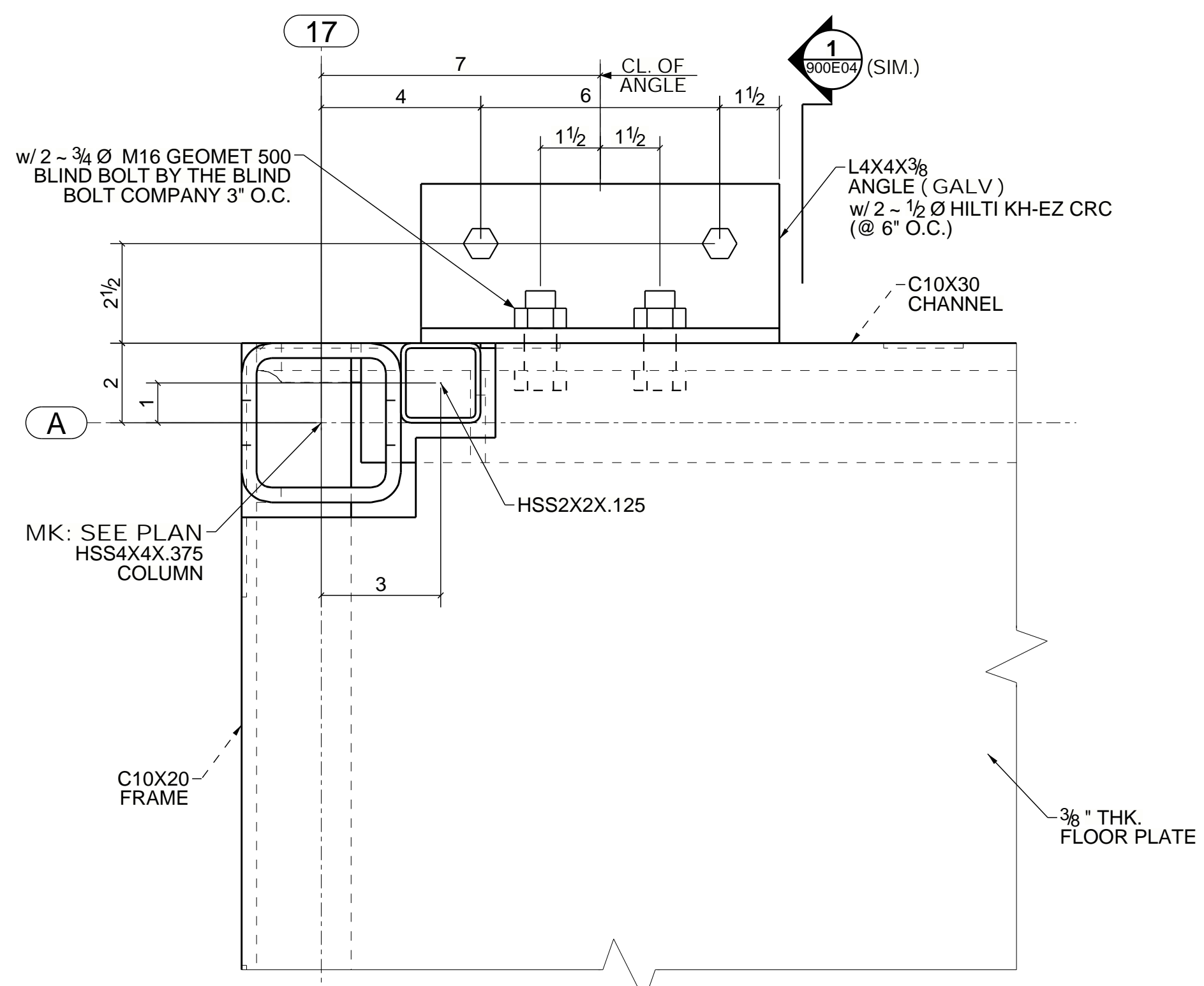
ELEVATION - 1



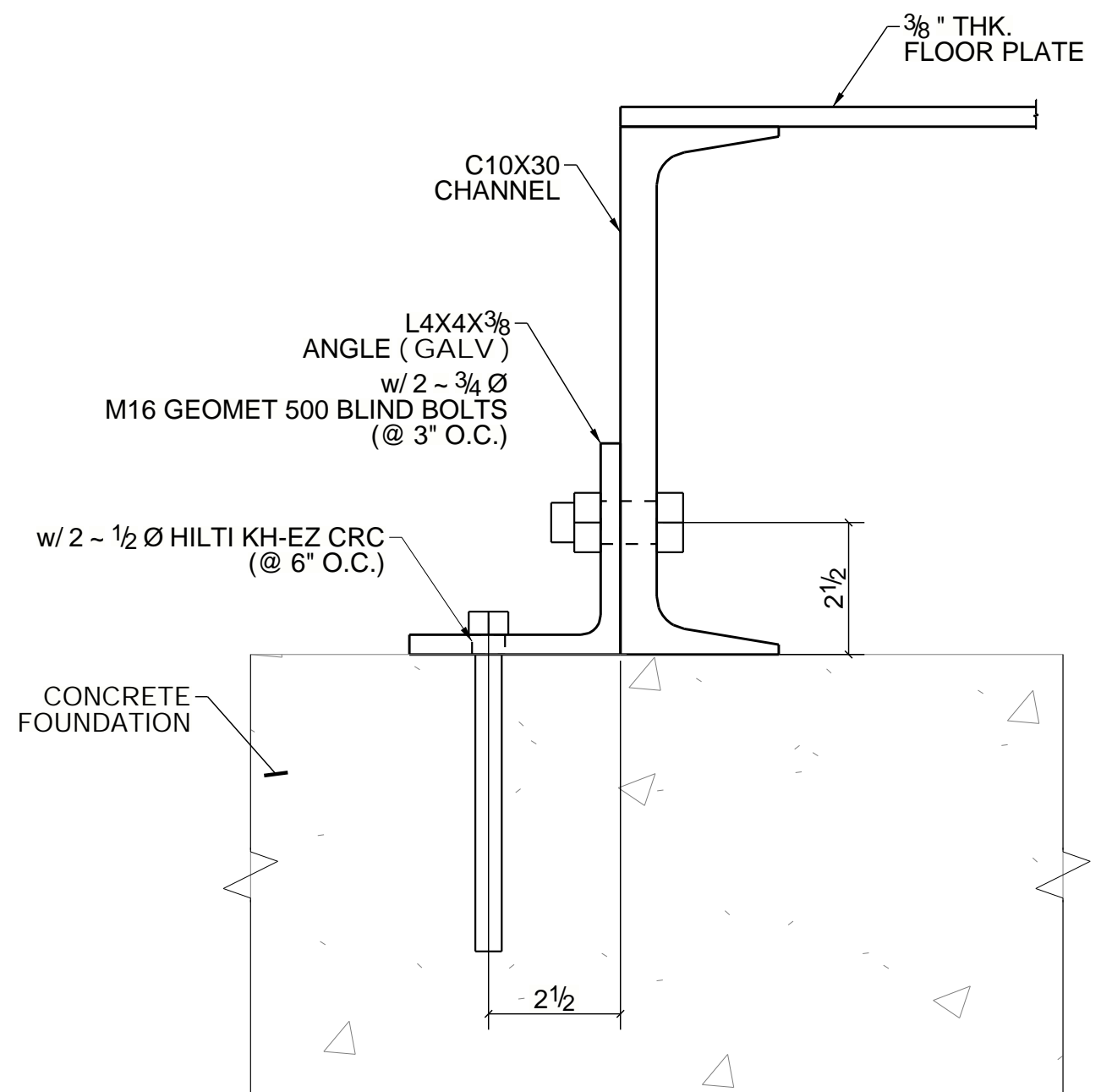
DETAIL - E



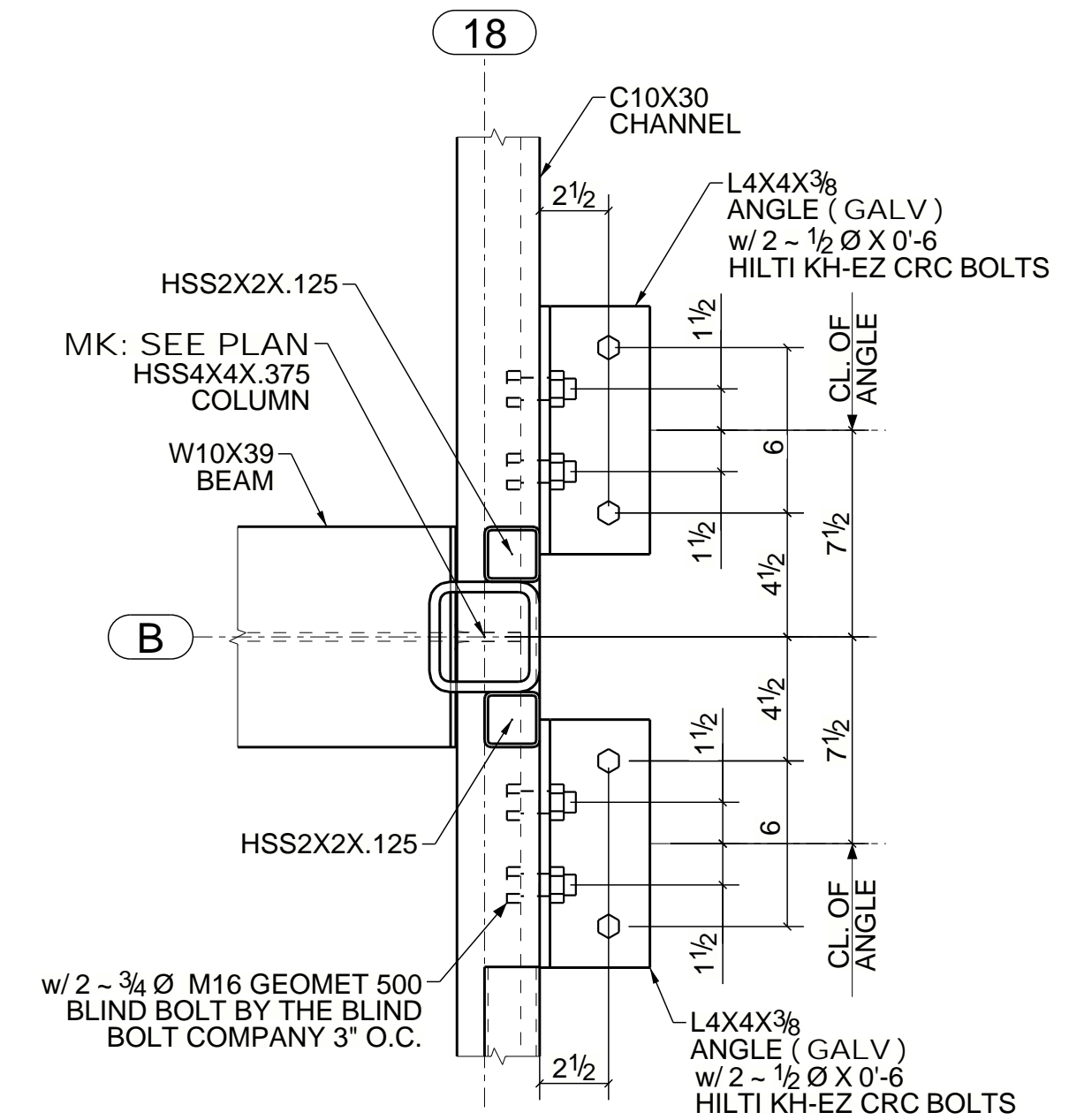
DETAIL - F



DETAIL - G



SECTION - 1
(REF: 10/S-510)

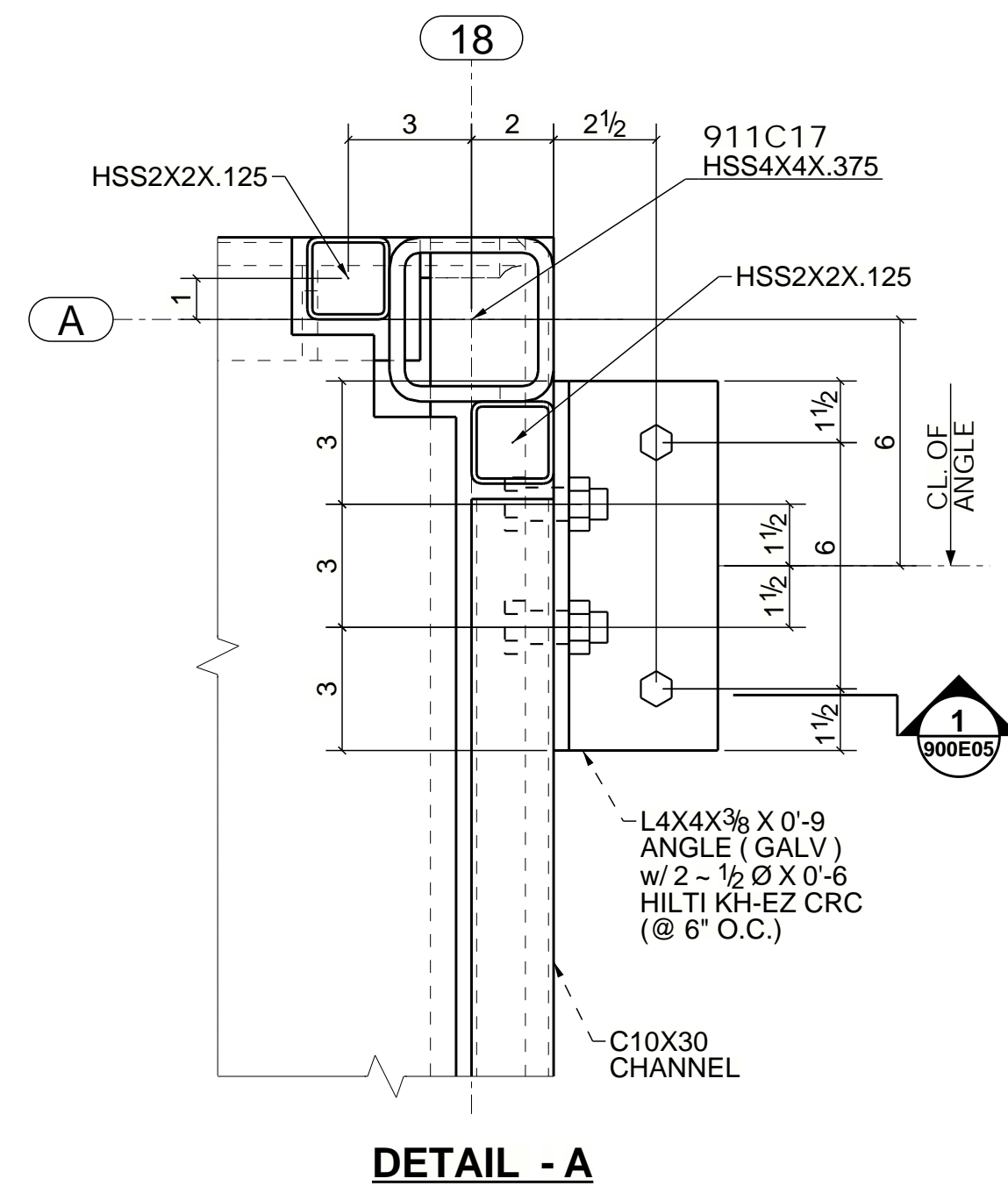


DETAIL - H

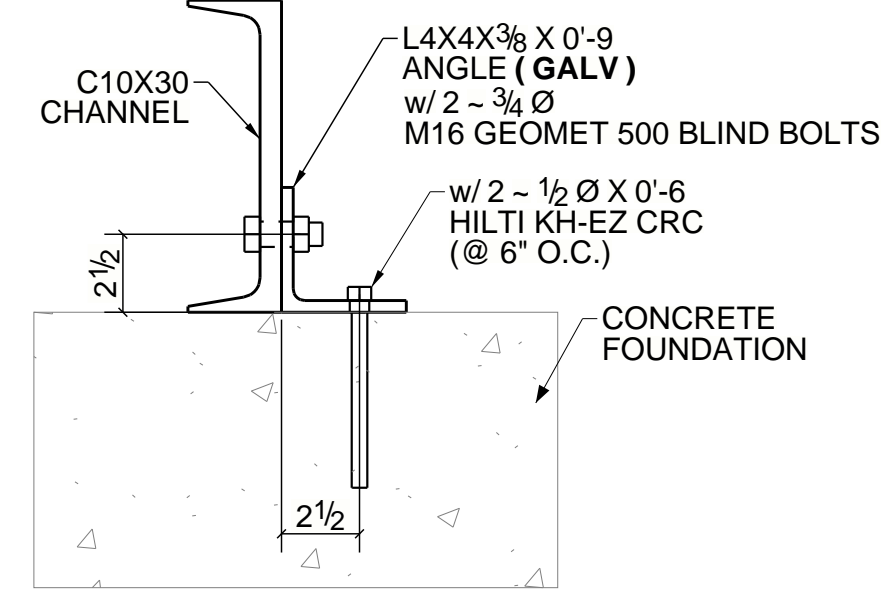
REV	DESCRIPTION	DATE	BY
0	For Field Use	09/23/2024	SID
1	For Approval	09/16/2024	SID

PROJECT NAME:	RKMC ATC SKIDS	WELD ELECTRODES:	E70XX
ADDRESS:	6011 CHAPEL HILL ROAD RALEIGH, NC 27607	DETAILER:	SID
CONTRACTOR:	RKMC	CHECKER:	RAK
DETAILS OF:	ELEVATION & DETAILS	JOB NUMBER:	i2409
		DRAWING NUMBER:	900E04

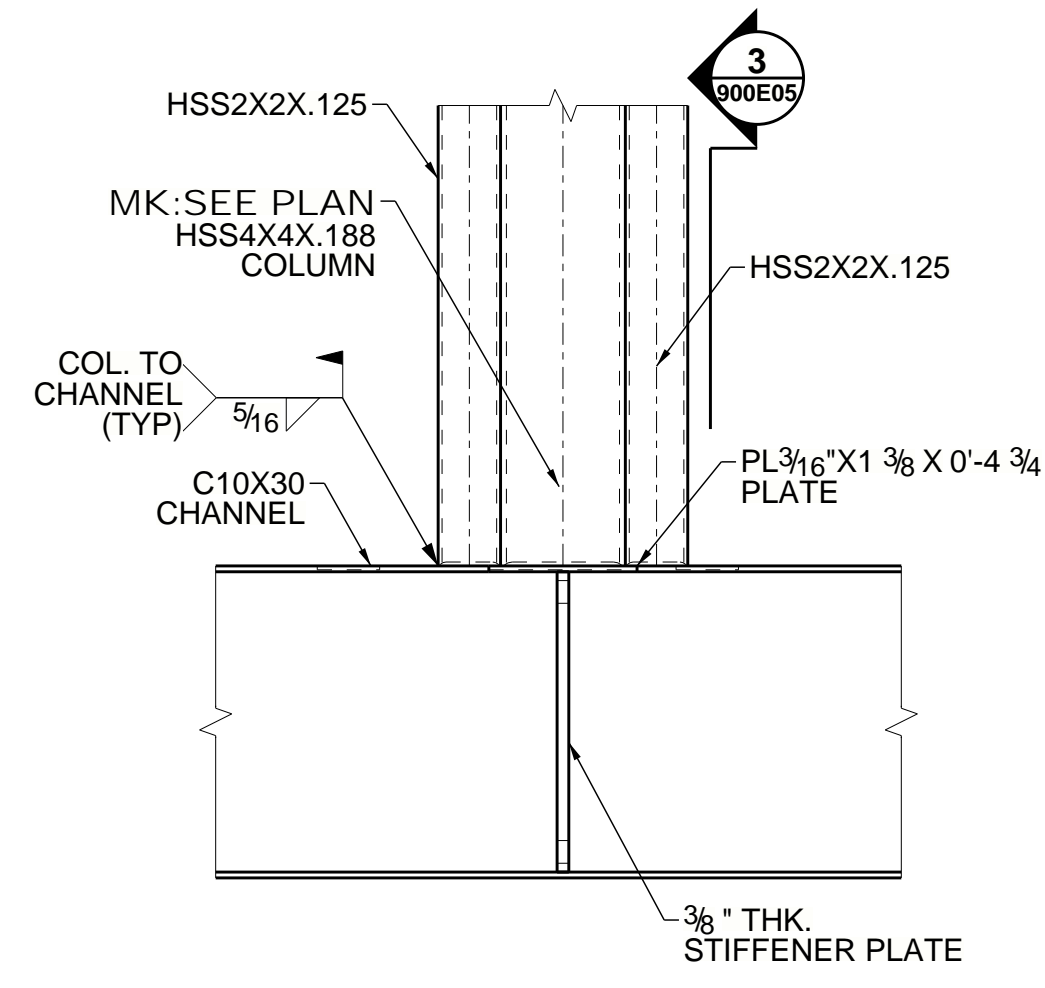
Terra Structures



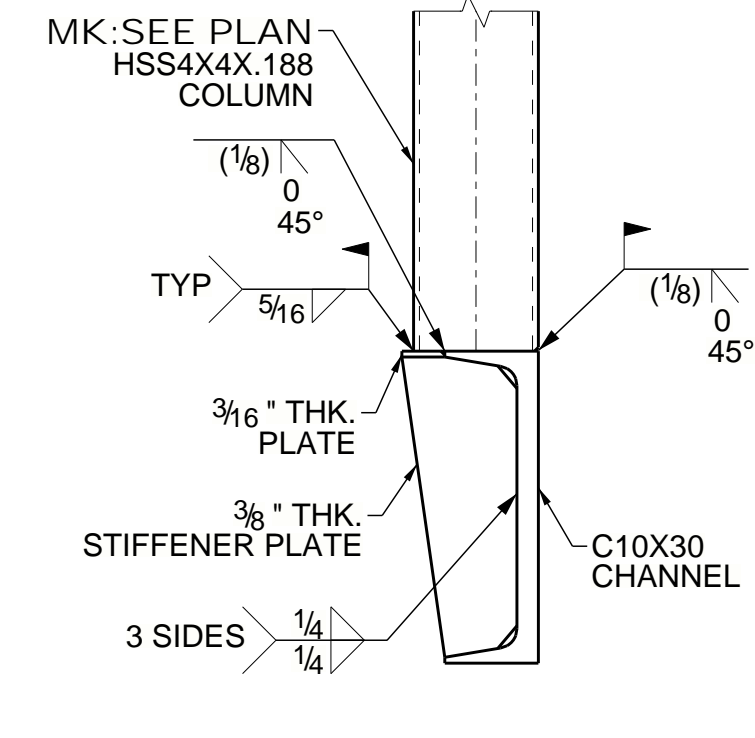
DETAIL - A



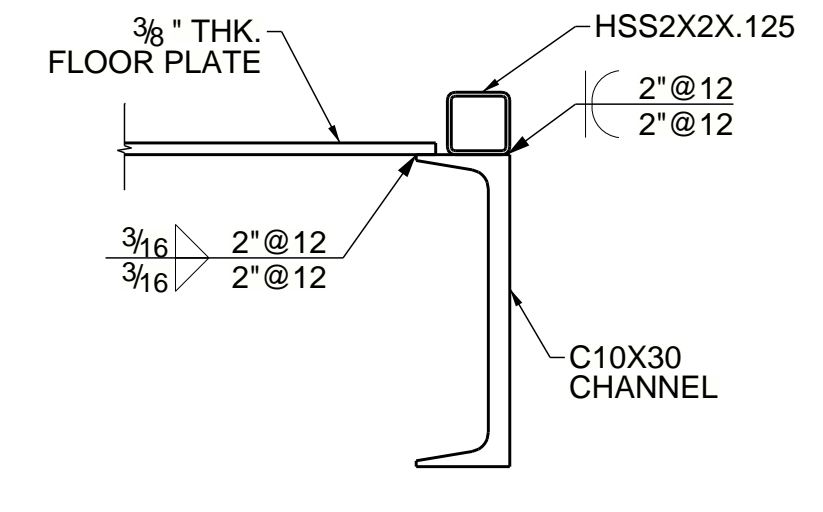
SECTION - 1



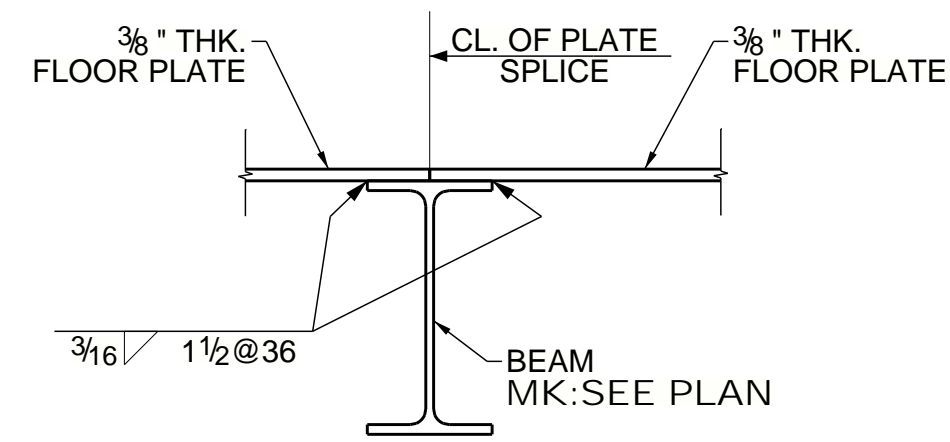
SECTION - 2



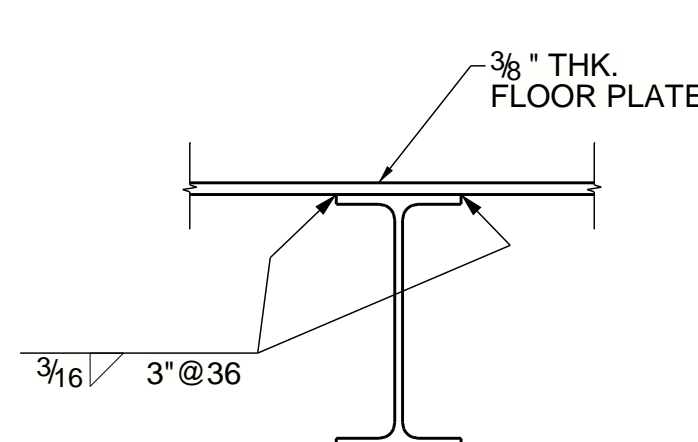
SECTION - 3



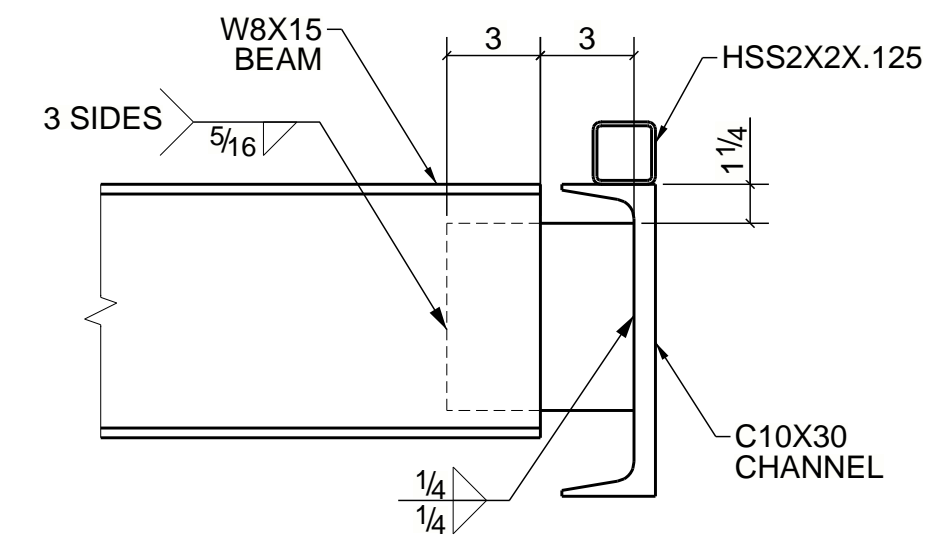
SECTION - 4
(REF :- 6/S-501)



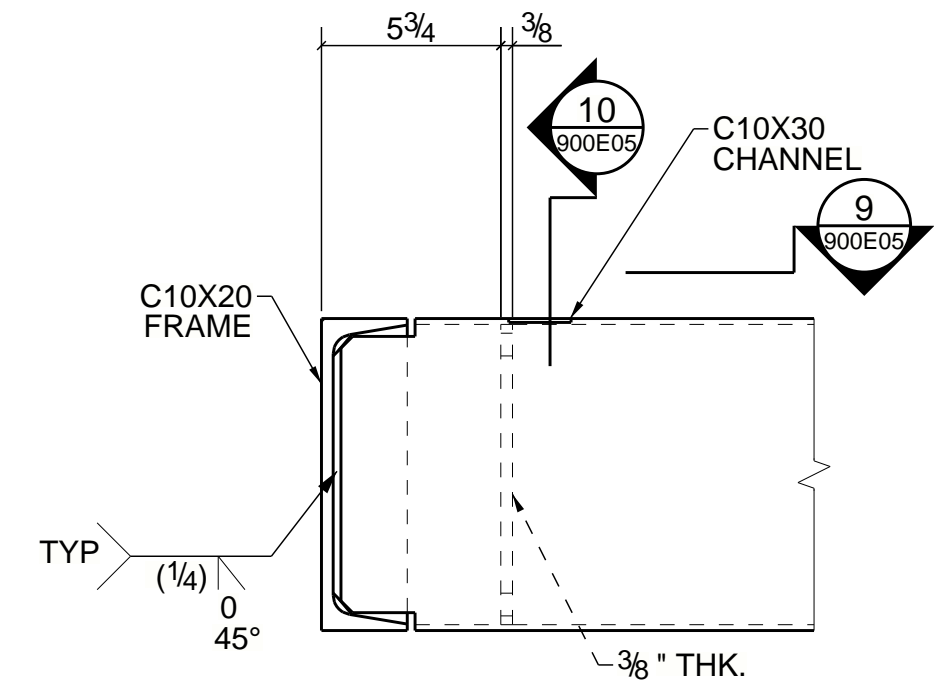
SECTION - 5
(REF :- 5/S-501)



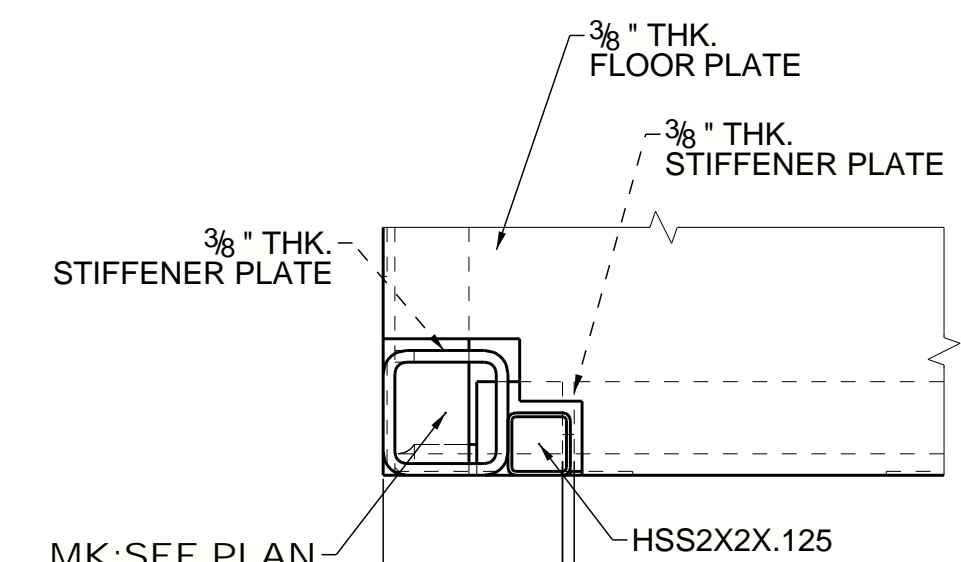
SECTION - 6
(REF :- 5/S-501)



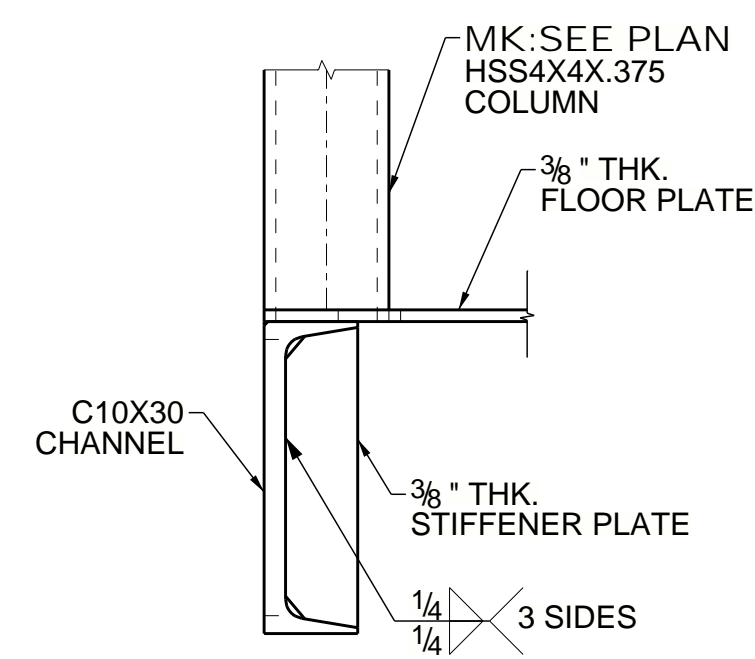
SECTION - 7



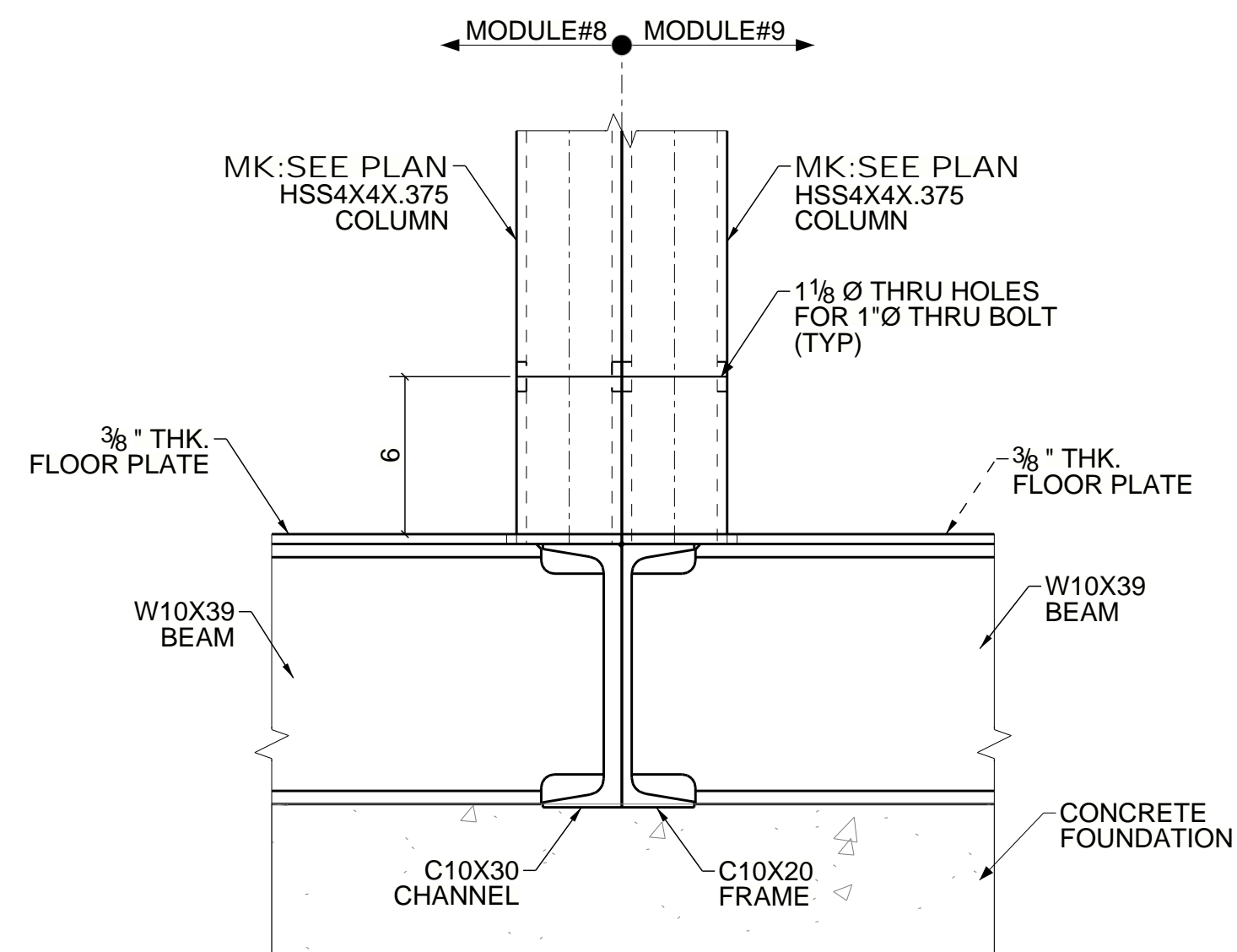
SECTION - 8
(REF :- 9/S-501)



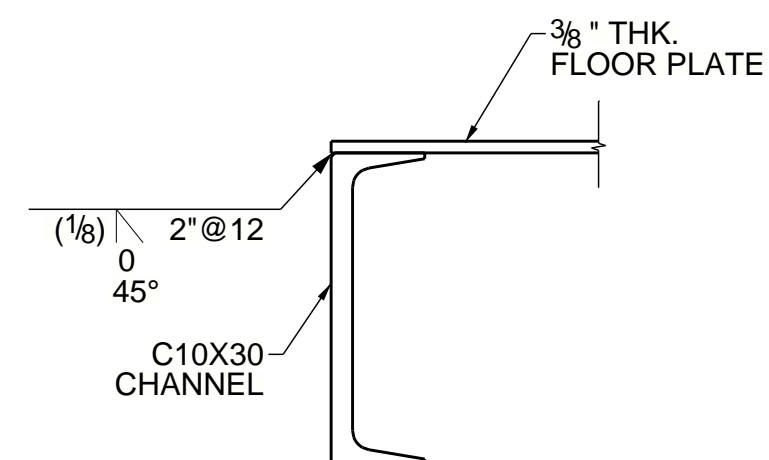
SECTION - 9
(REF :- 9/S-501)



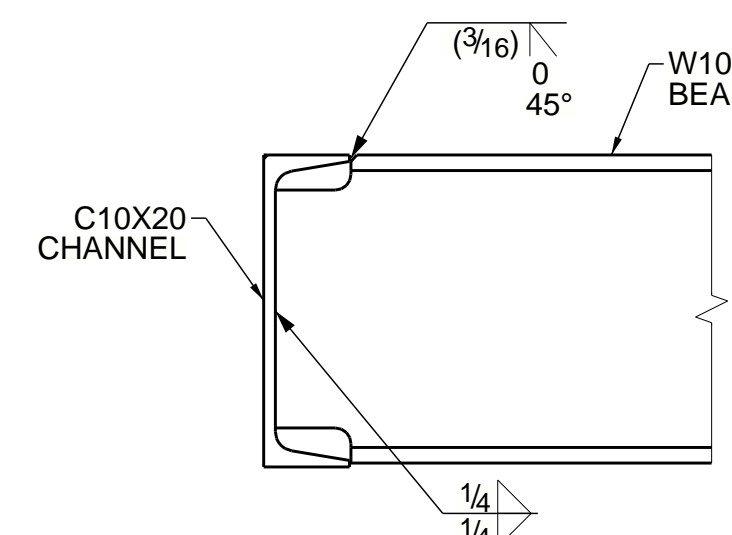
SECTION - 10
(REF :- 9/S-501)



SECTION - 11
(REF :- 2/S-501)



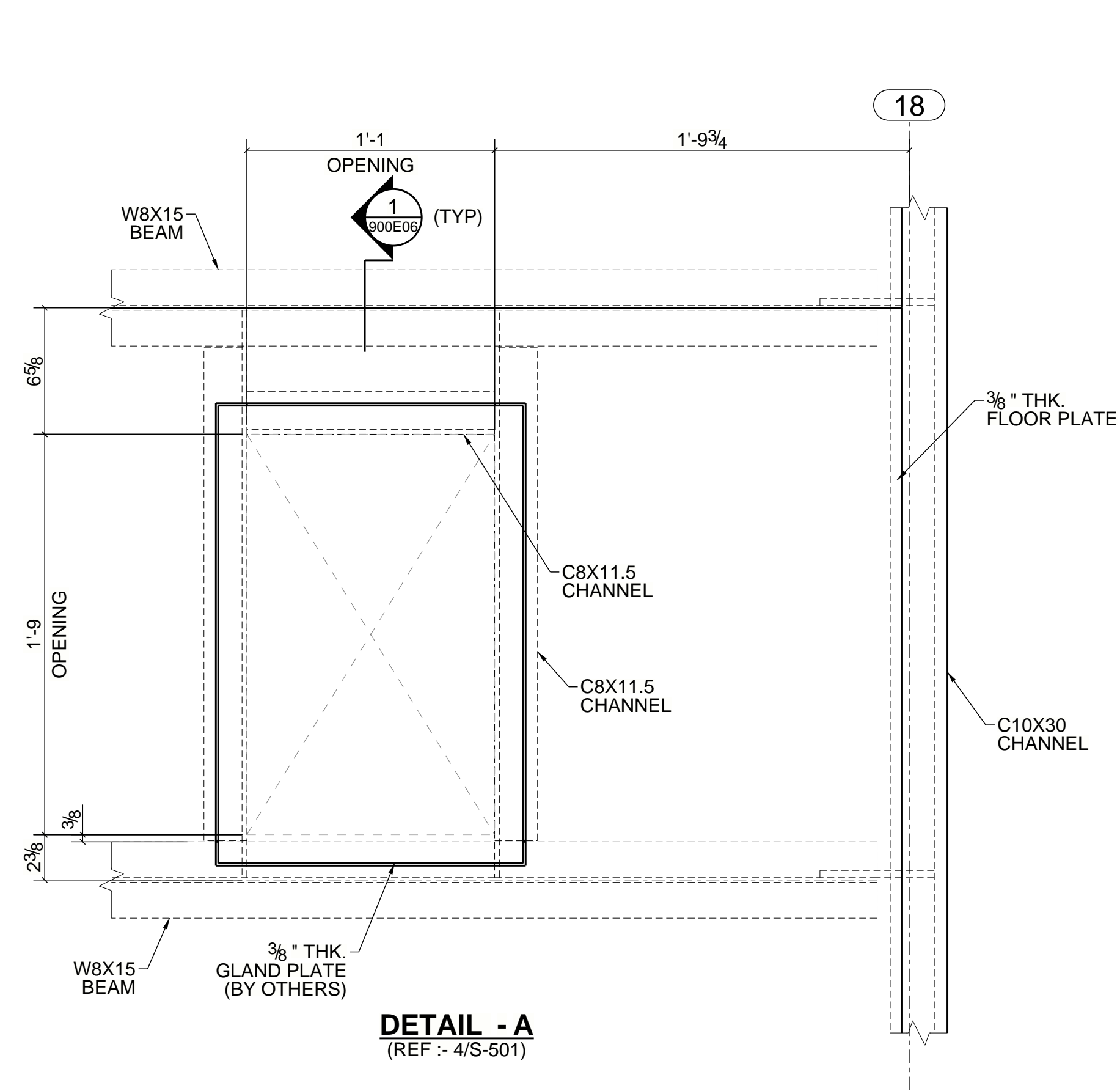
SECTION - 12



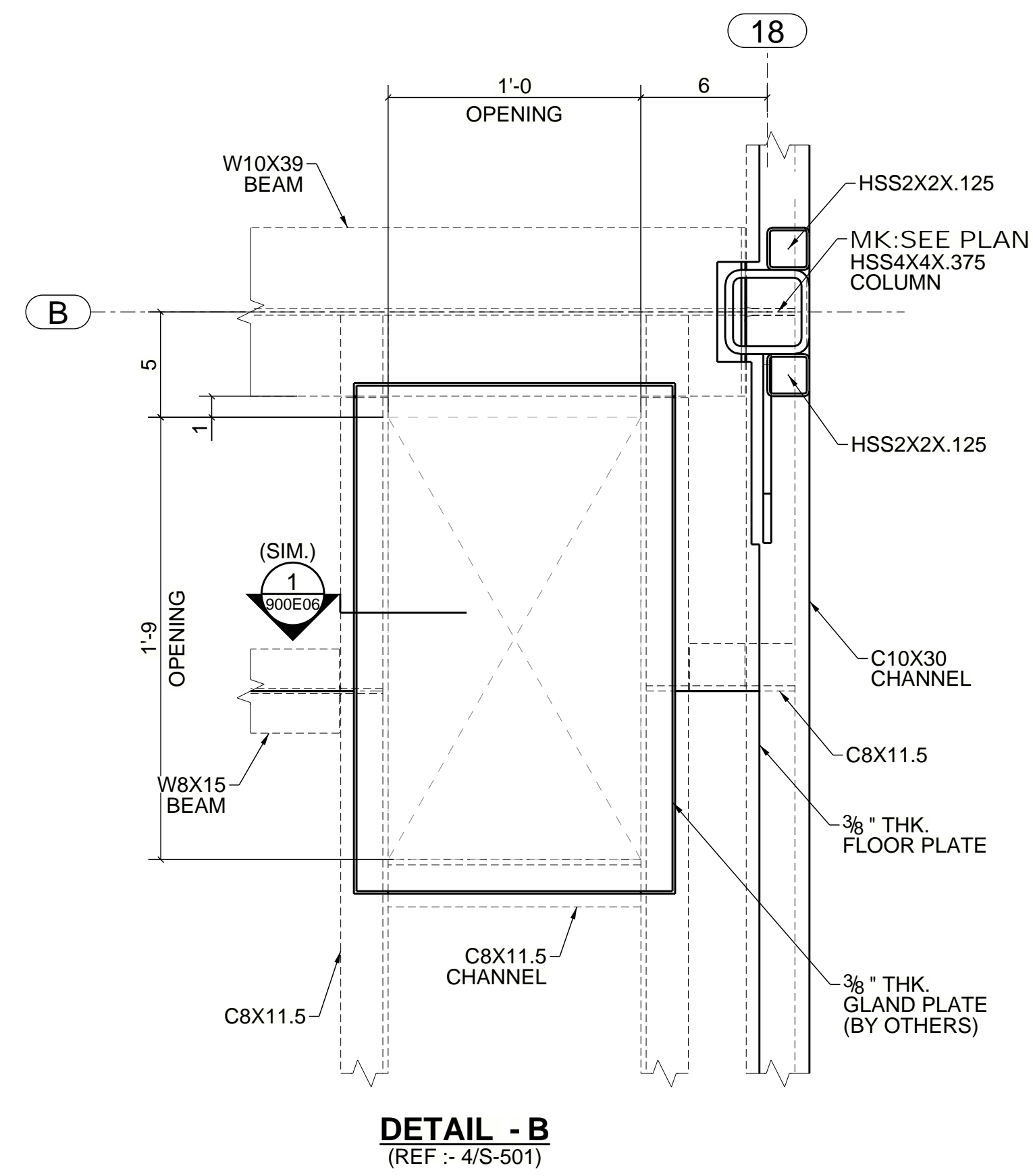
SECTION - 13
(REF :- 2/S-510)

△	For Field Use	09/23/2024	SID
△	For Approval	09/16/2024	SID
REV	DESCRIPTION	DATE	BY

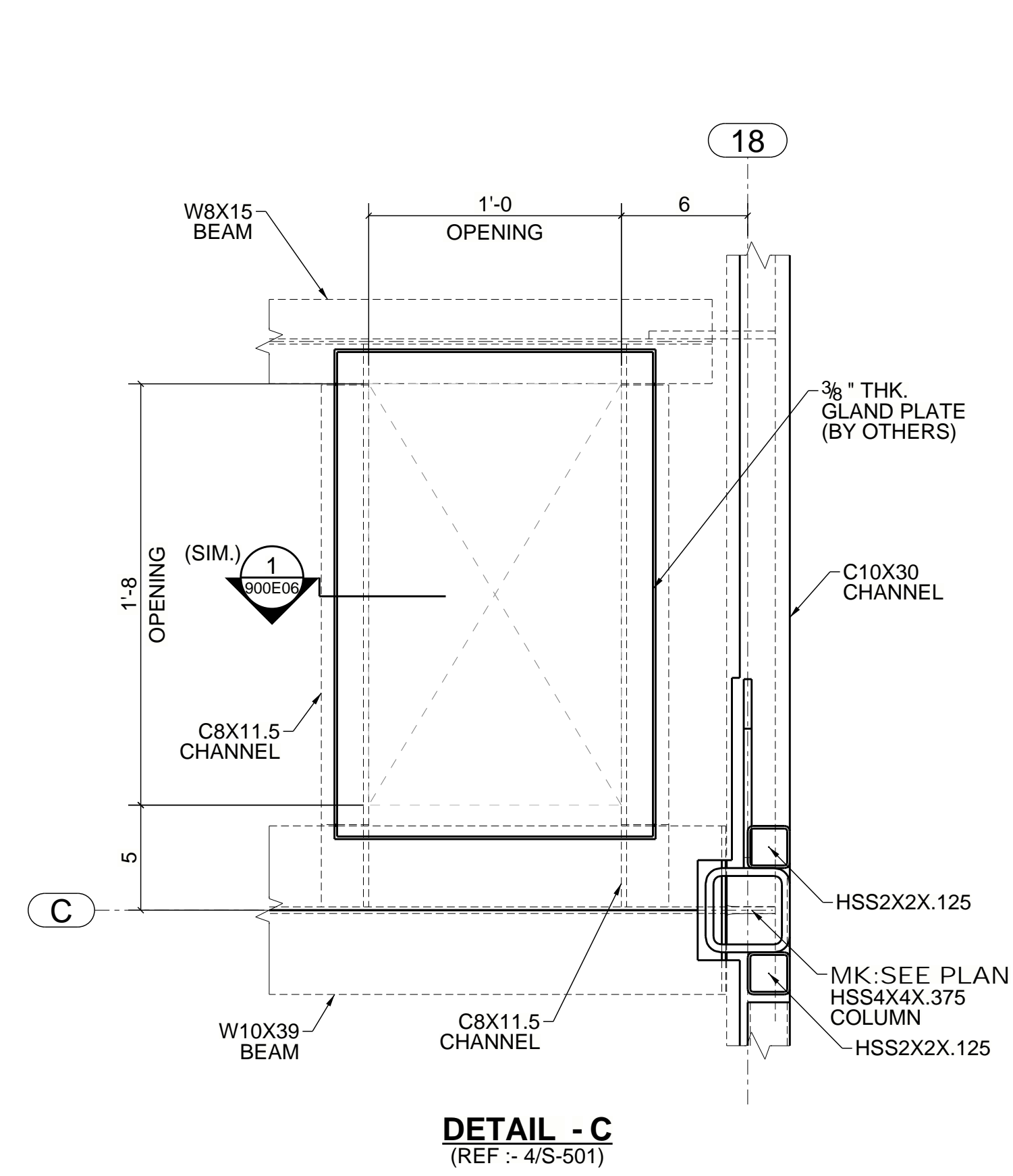
PROJECT NAME: RKMC ATC SKIDS	WELD ELECTRODES E70XX
ADDRESS: 6011 CHAPEL HILL ROAD RALEIGH, NC 27607	DETAILER SID
CONTRACTOR: RKMC	CHECKER RAK
DETAILS OF DETAILS & SECTIONS	JOB NUMBER i2409
	DRAWING NUMBER 900E05



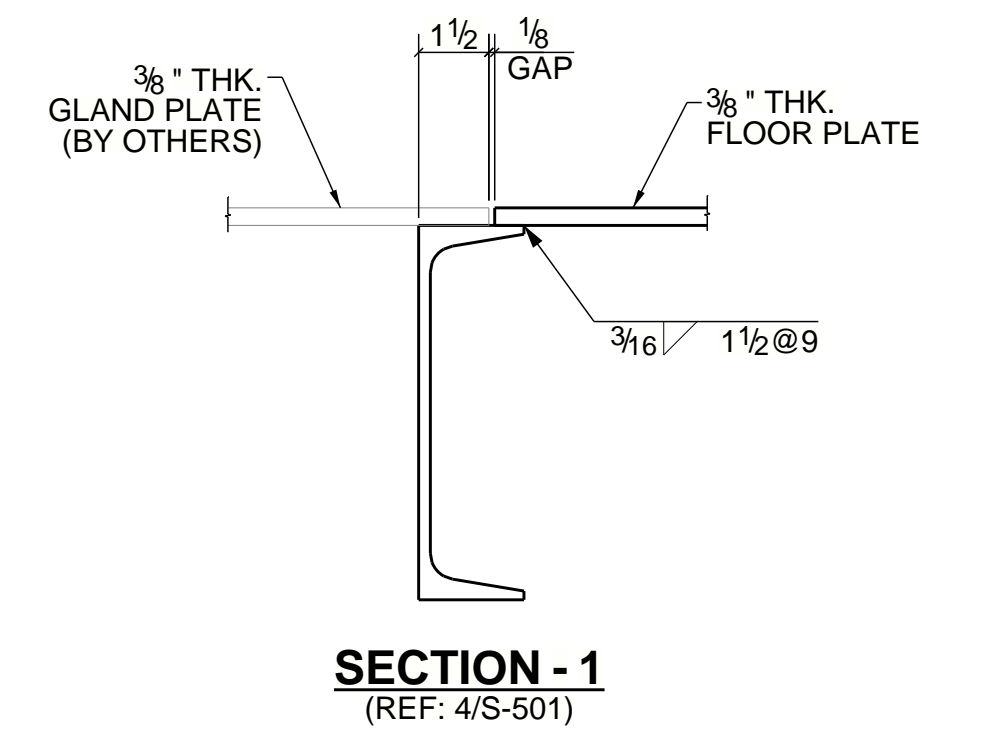
DETAIL - A
(REF :- 4/S-501)



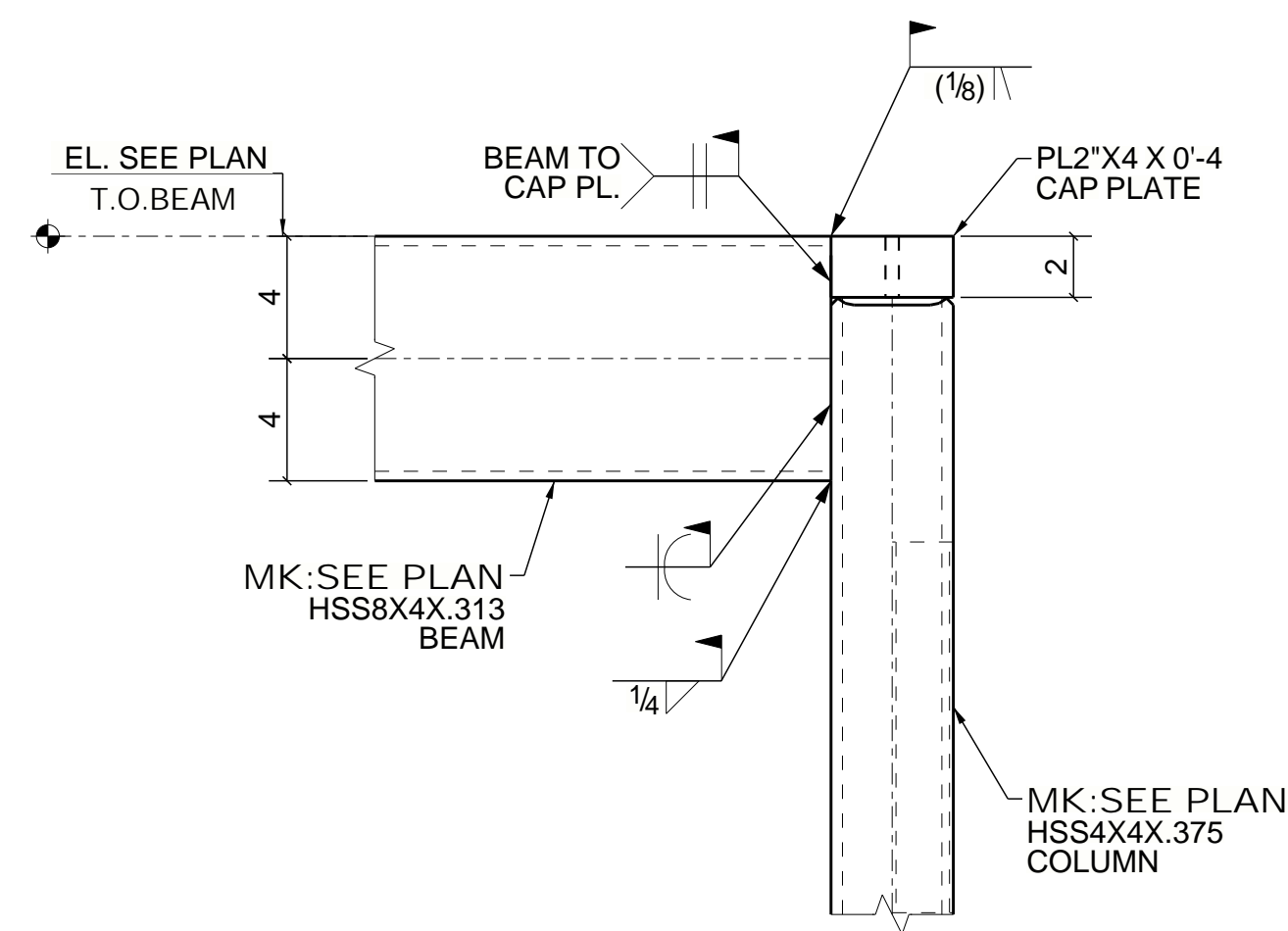
DETAIL - B
(REF :- 4/S-501)



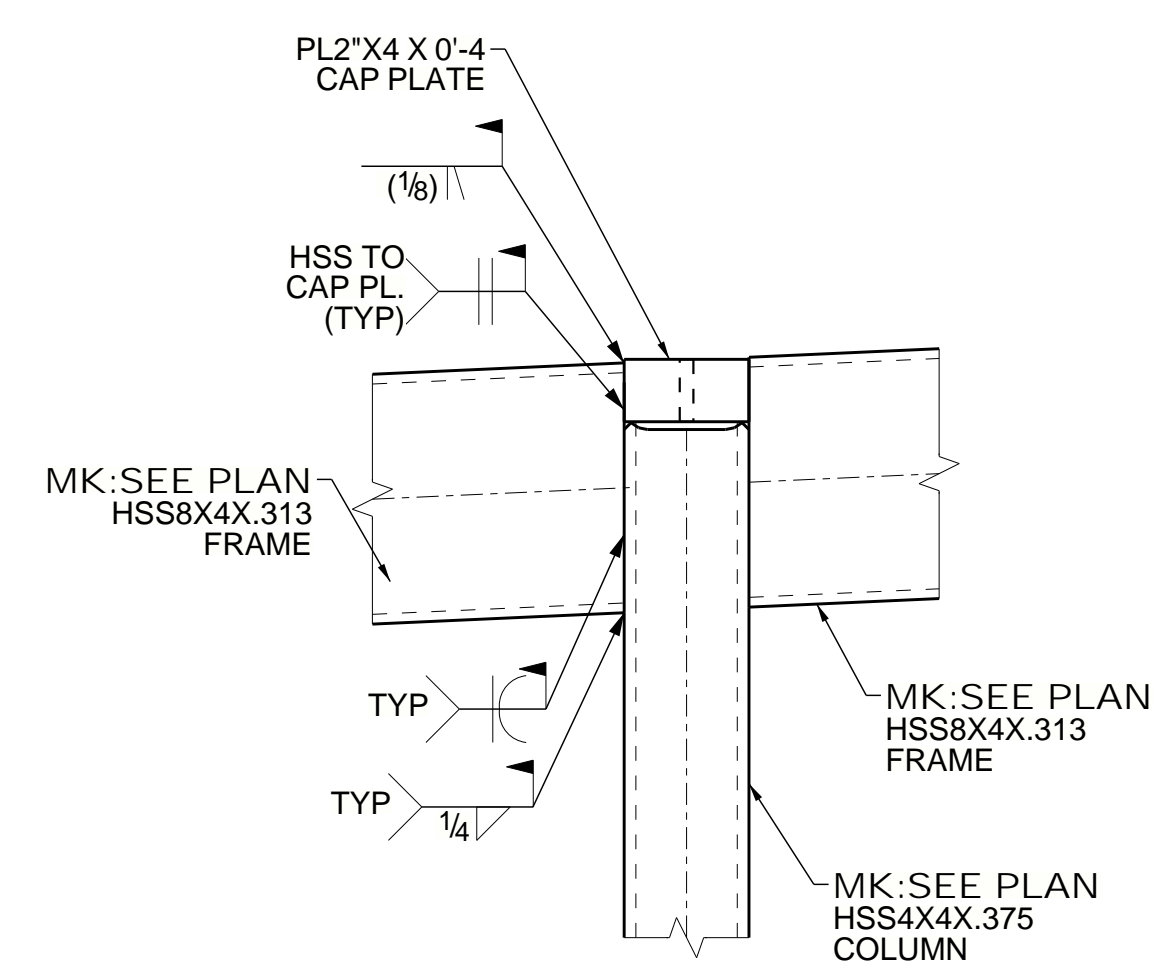
DETAIL - C
(REF :- 4/S-501)



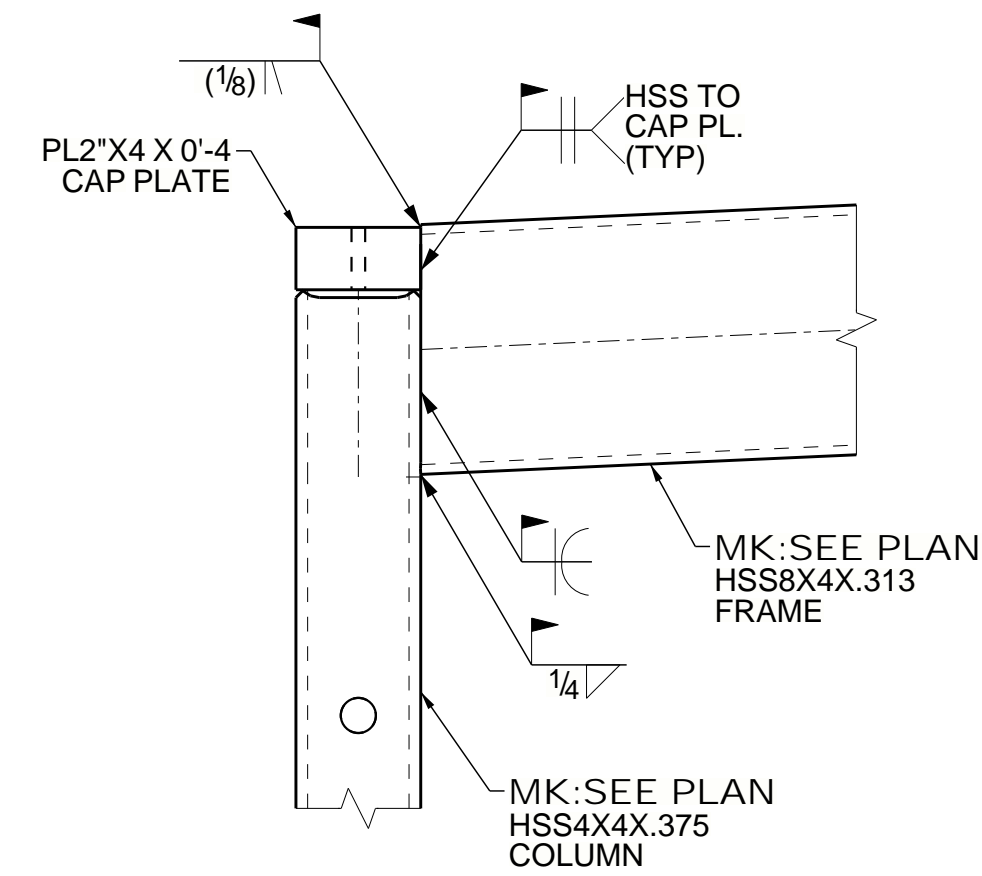
SECTION - 1
(REF: 4/S-501)



SECTION - 2
(REF :- 6/S-502)



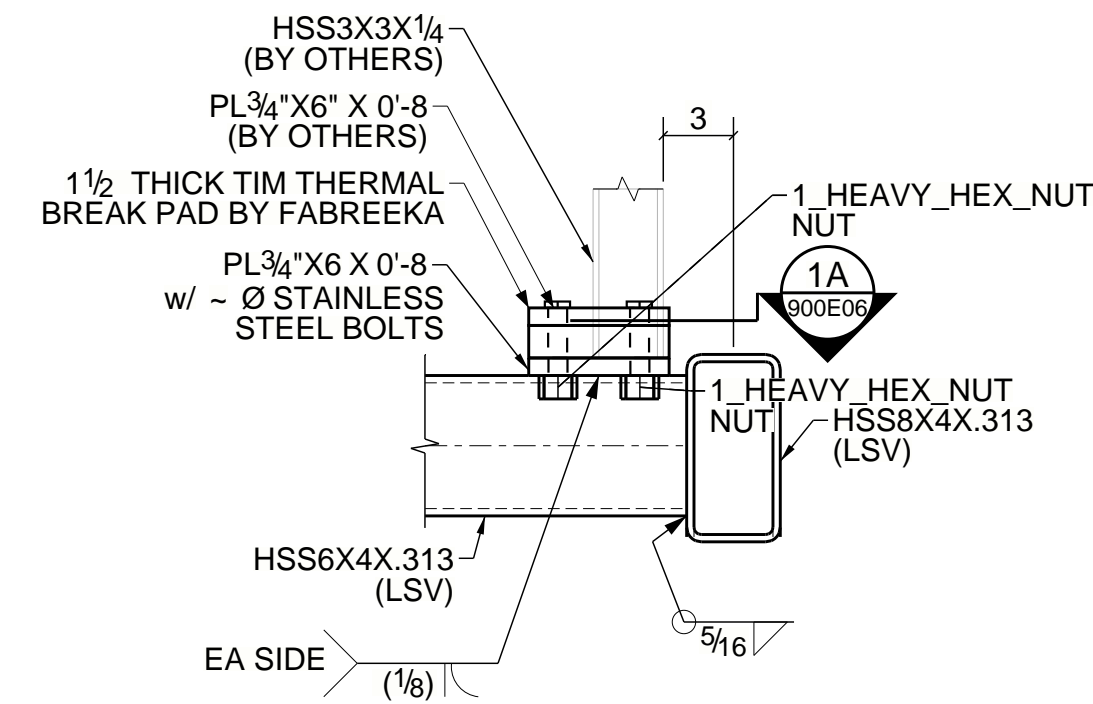
DETAIL - E
(REF :- 6/S-502)



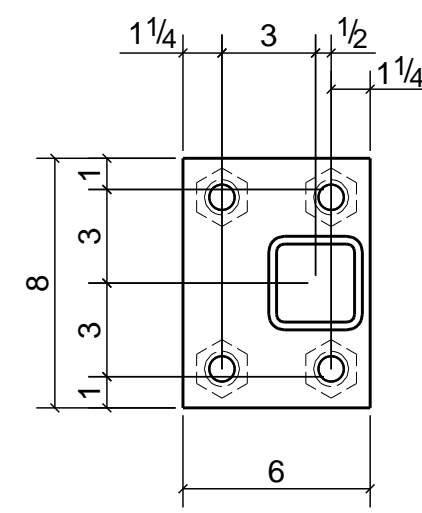
DETAIL - F
(REF :- 6/S-502)

△	For Field Use	09/23/2024	SID
△	For Approval	09/16/2024	SID
REV	DESCRIPTION	DATE	BY

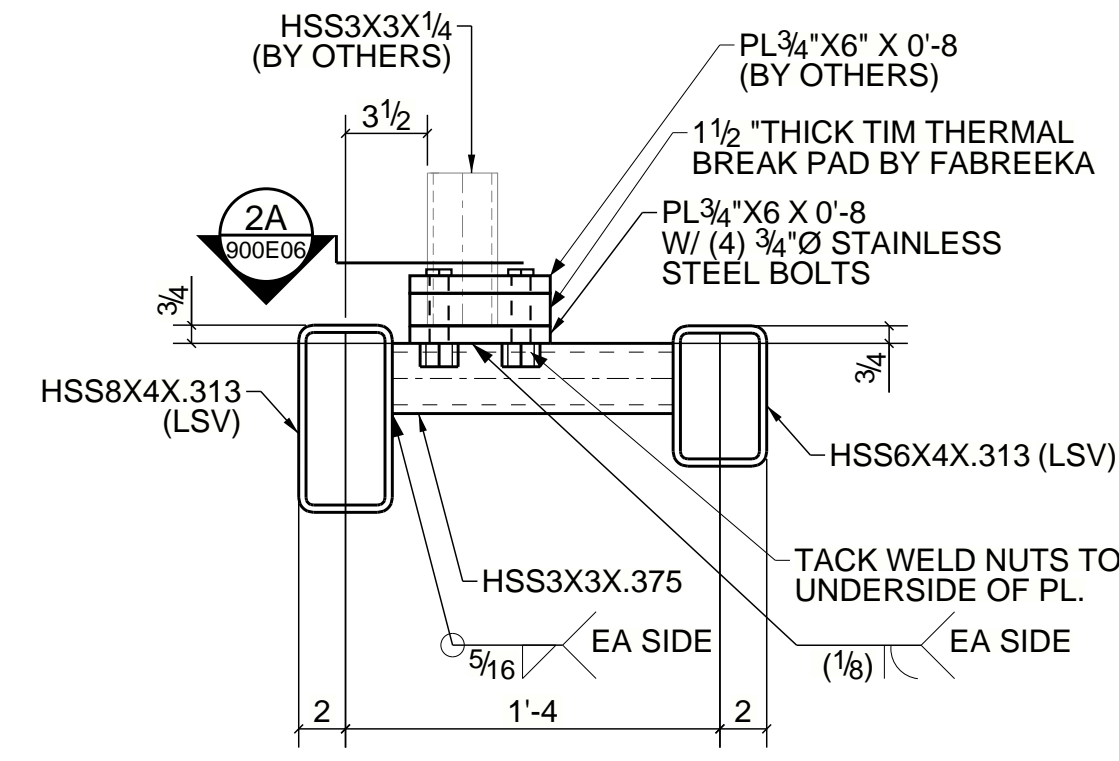
PROJECT NAME: RKMC ATC SKIDS	WELD ELECTRODES: E70XX
ADDRESS: 6011 CHAPEL HILL ROAD RALEIGH, NC 27607	DETAILER: SID
CONTRACTOR: RKMC	CHECKER: RAK
DETAILS OF DETAILS & SECTIONS	JOB NUMBER i2409
	DRAWING NUMBER 900E06



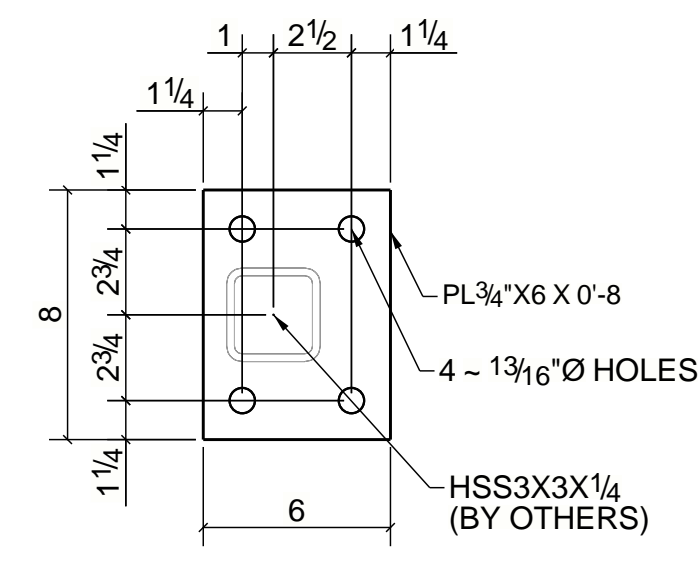
SECTION - 1



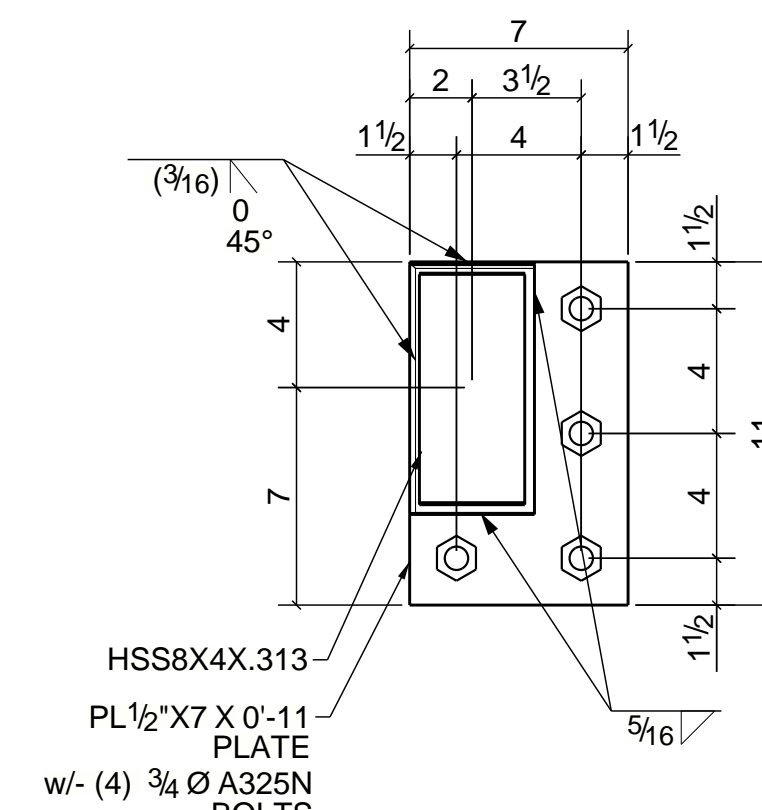
SECTION - 1A



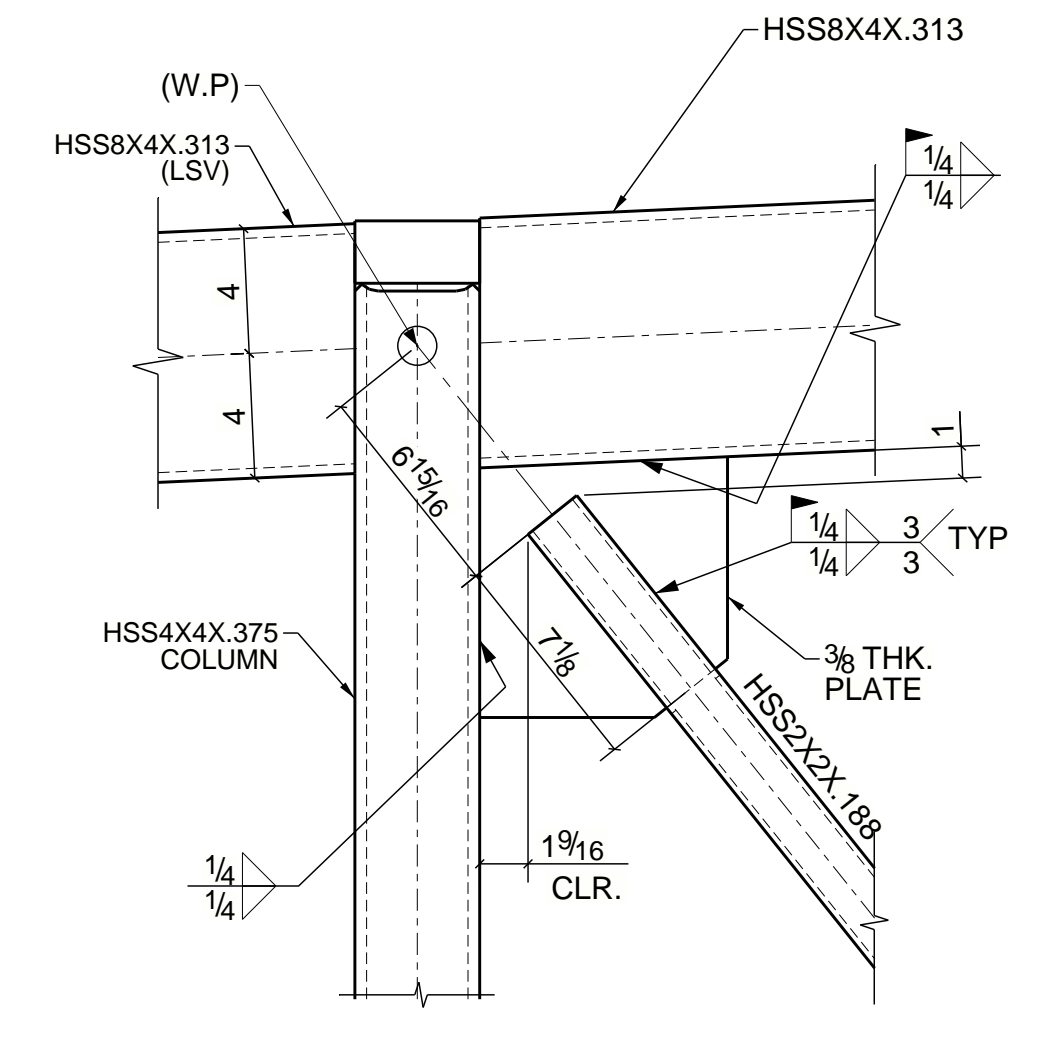
SECTION - 2
(REF: 15/S-502)



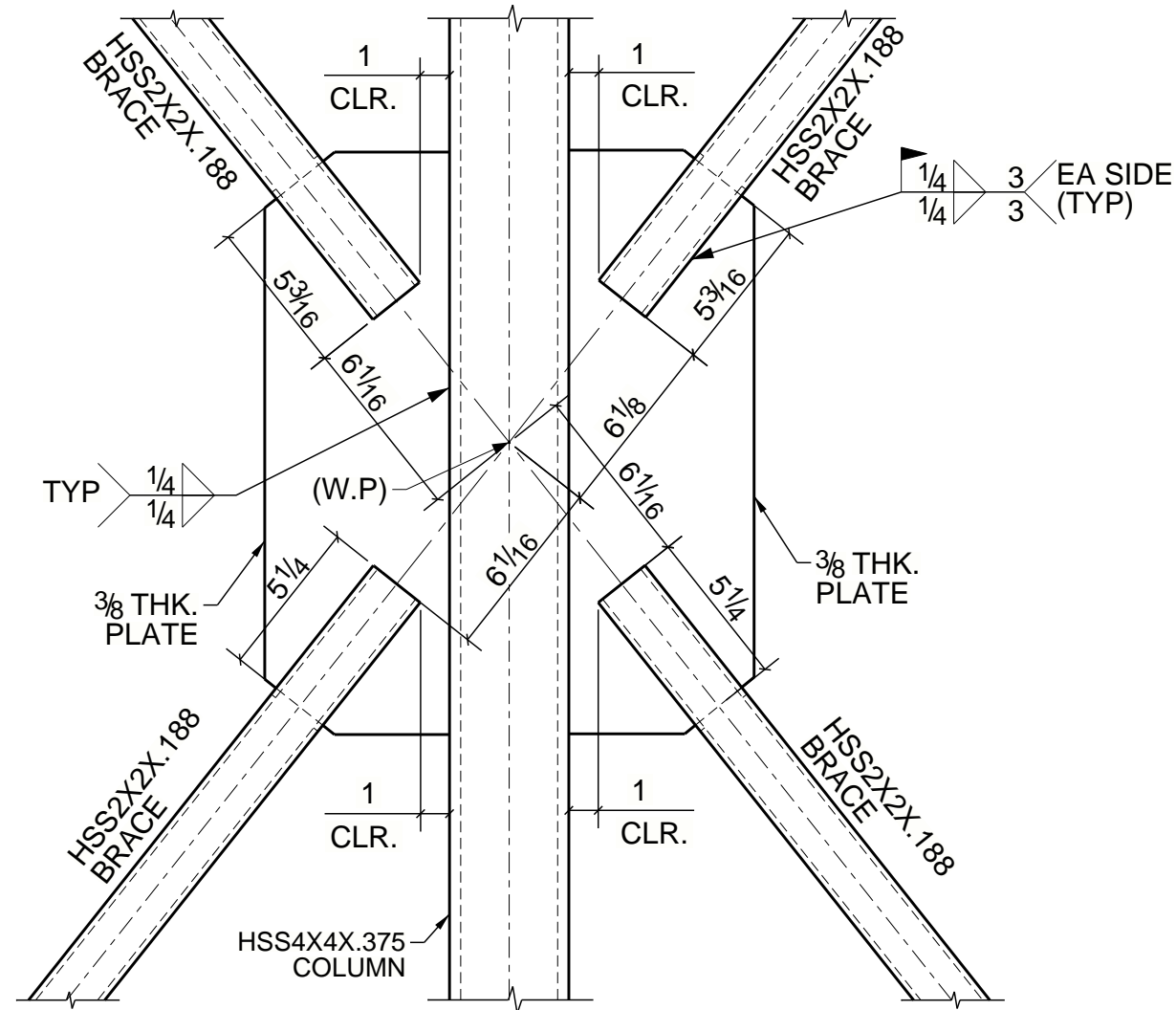
SECTION - 2A



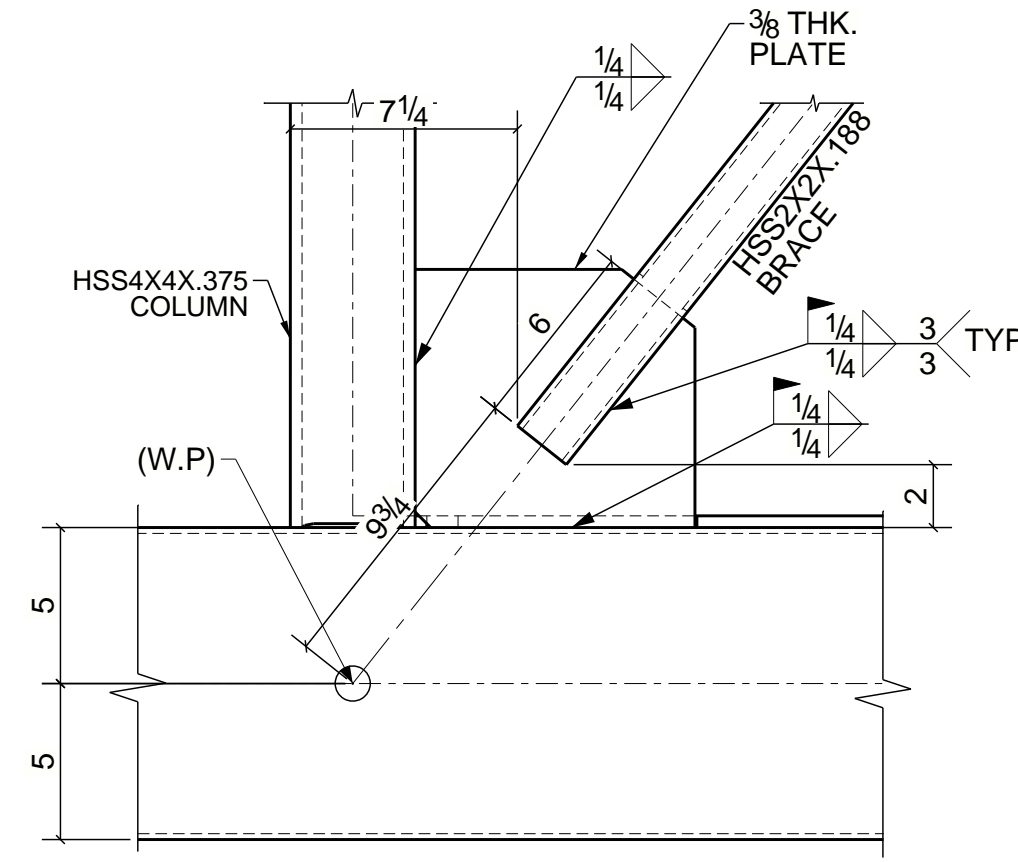
SECTION - 3



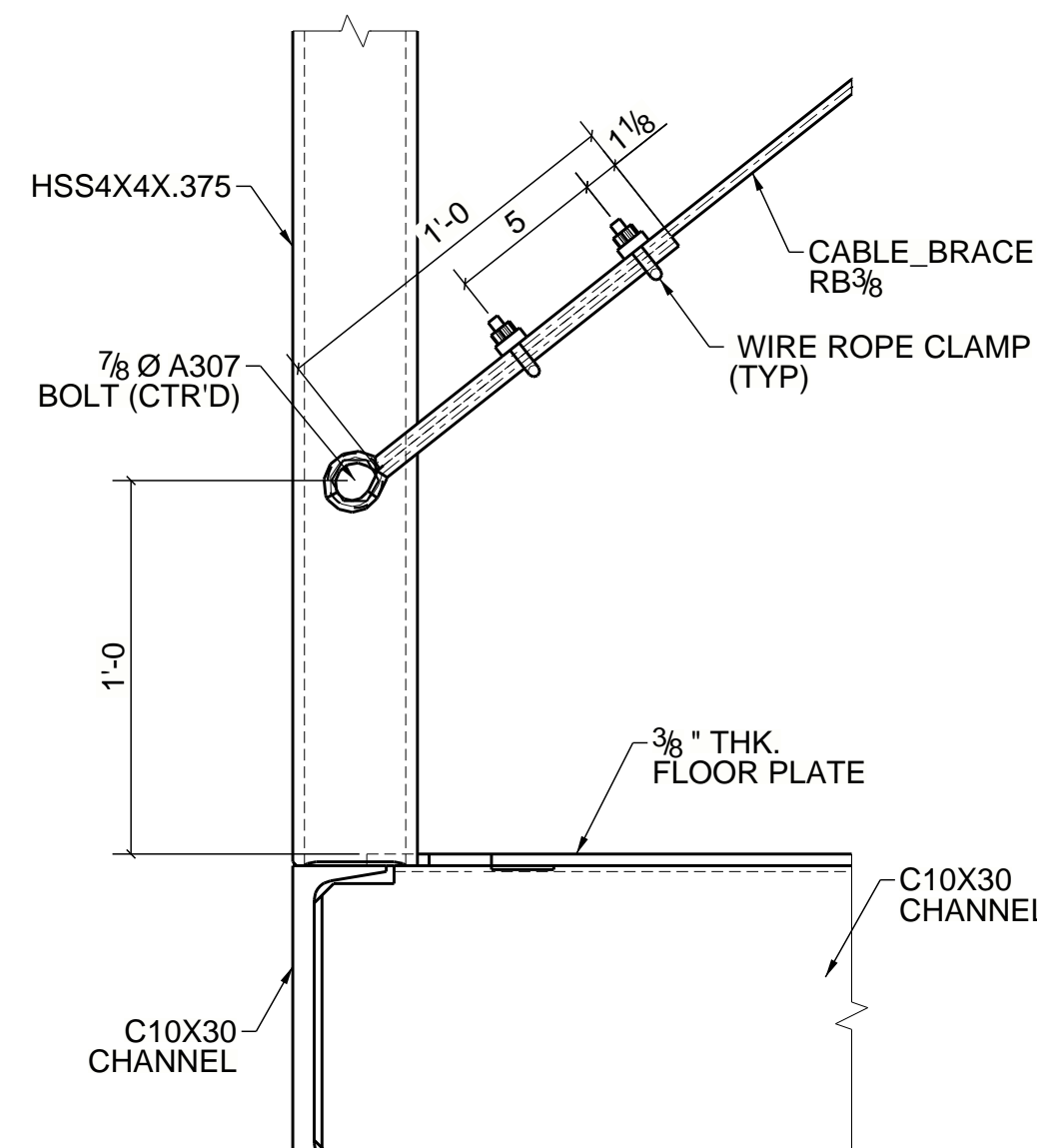
DETAIL - A
(REF: 1/S-503)



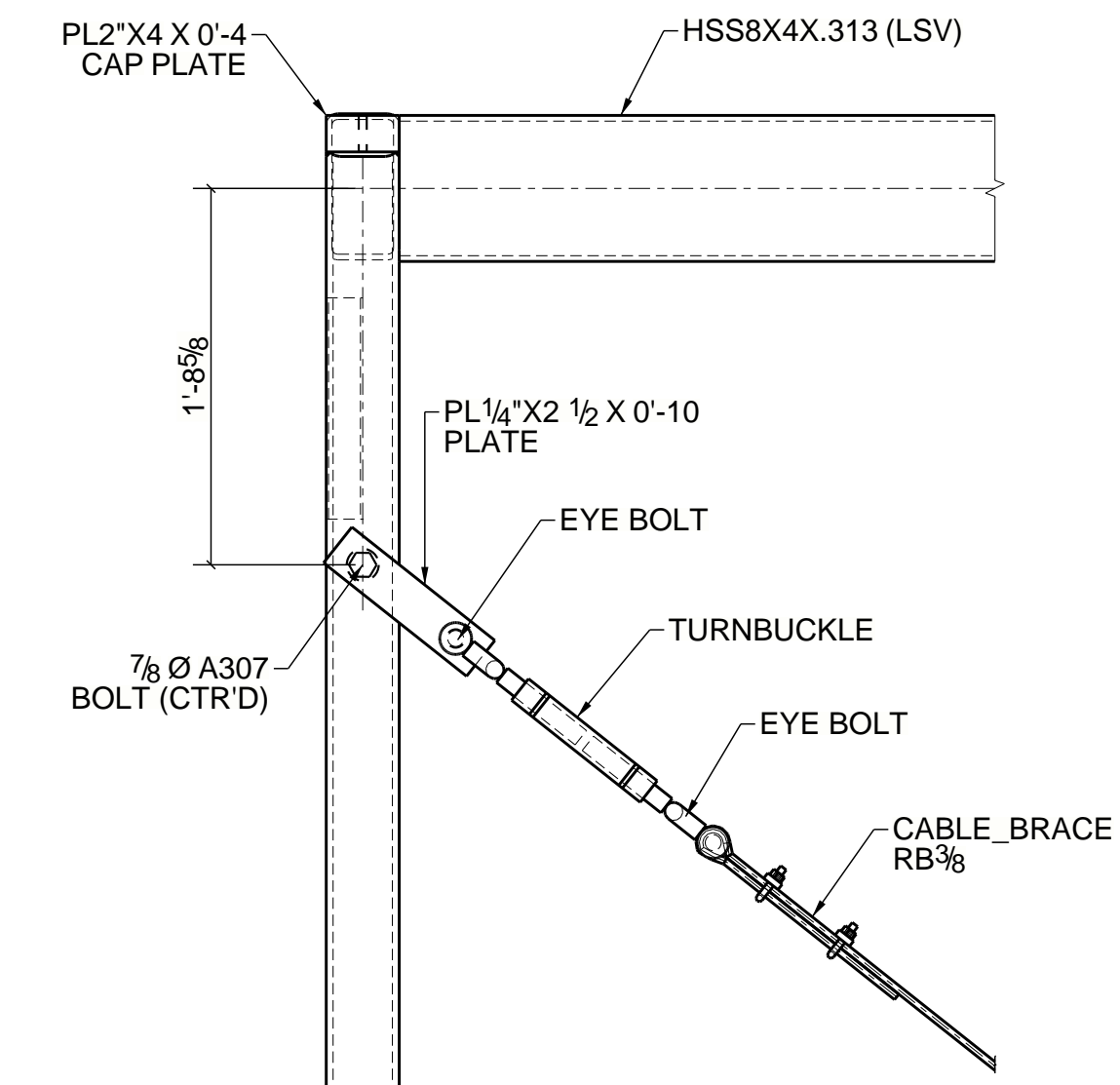
DETAIL - B
(REF: 2/S-503)



DETAIL - C



DETAIL - D



DETAIL - E

0	For Field Use	09/23/2024	SID
A	For Approval	09/16/2024	SID
REV	DESCRIPTION	DATE	BY

PROJECT NAME: RKMC ATC SKIDS	WELD ELECTRODES: E70XX
ADDRESS: 6011 CHAPEL HILL ROAD RALEIGH, NC 27607	DETAILER: SID
CONTRACTOR: RKMC	CHECKER: RAK
DETAILS OF DETAILS & SECTIONS	DRAWING NUMBER: 900E07
JOB NUMBER: i2409	